

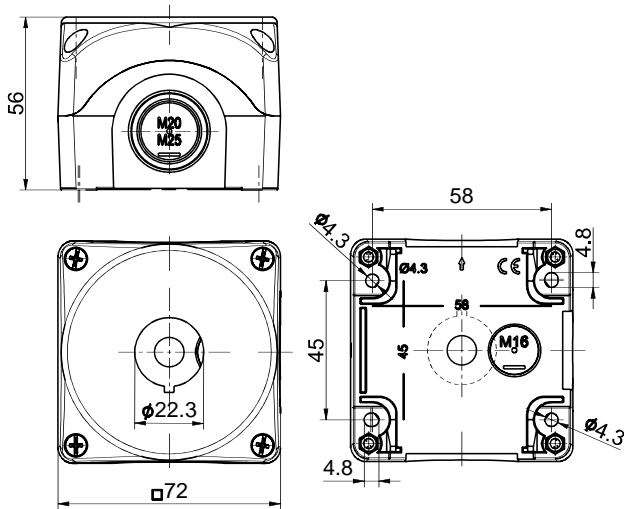


Wireless command device Enclosure RF BF 74-1 Material number: 1328060

Features/Options:

- Enclosure for 1 actuator
- Different actuating elements like push buttons, selector or key switches available

Dimensions



Technical data

Applied standards	EN 60947-5-1, EN 61000-6-2, EN 61000-6-3, EN 61000-4-2, EN 301 489-1, EN 301 489-3, EN 300 220-1, EN 300 220-2
Enclosure	polycarbonate
Tightening torque	cover screws: approx. 1.6 Nm
Degree of protection	IP 65 to IEC/EN 60529 (RTM: IP 67), use only with enclosure for command devices
Mounting position	any
Ambient temperature	-25 °C ... +70 °C
Storage and shipping temperature	-40 °C ... +85 °C
Operation cycles	max. 12000 telegrams with repetitions/h
Wireless range	max. 450 m outdoors, max. 40 m indoors
Mechanical life	800 000 operations
Actuating time	min. 80 ms
Actuating speed V	min. 0.03 m/s; max. 0.25 m/s
Note	no status signal available
Weight	99 g