



## Wireless position switch

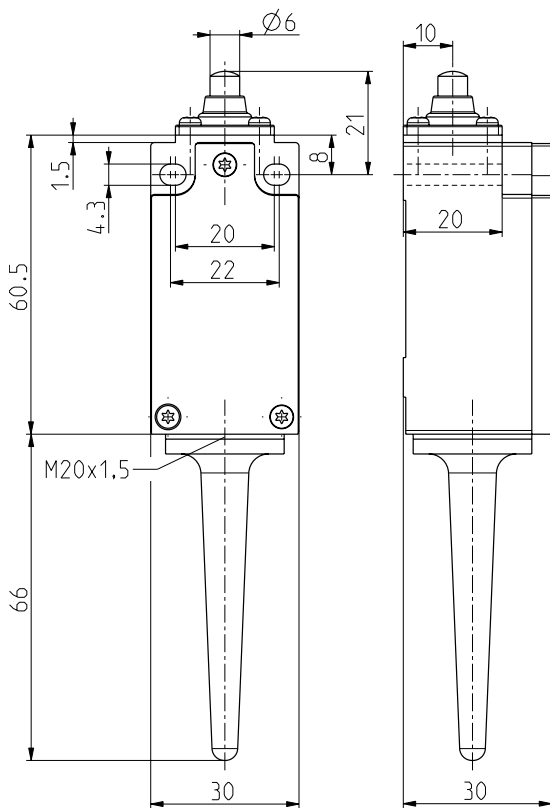
RF 95 W ULR SW868

Material number: 1190519 (Material number old: 95902004)

### Features/Options:

- Thermoplastic enclosure
- Design to EN 50047
- sWave® wireless technology
- No power supply, no wiring and pipe laying required
- Easy programming of receiver
- Output signal can be individually configured at the receiver
- Actuator: Plunger with collar W
- Actuator type B to EN 50047
- Watertight collar for protection against penetration of dirt

### Dimensions



### Technical data

|                      |  |
|----------------------|--|
| Applied standards    | EN 60947-5-1, EN 61000-6-2, EN 61000-6-3, EN 61000-4-2, EN 301 489-1, EN 301 489-3, EN 300 220-1, EN 300 220-2 |
| Enclosure            | thermoplastic, glass-fibre reinforced, impact resistant, self-extinguishing UL 94 V-0                          |
| Cover                | thermoplastic, glass-fibre reinforced, impact resistant, self-extinguishing UL 94 V-0                          |
| Tightening torque    | enclosure mounting screws: 1.2 ... 1.3 Nm<br>cover screws: 0.5 ... 0.6 Nm                                      |
| Degree of protection | IP 67 to IEC/EN 60529  |
| Protocol             | sWave®   |
| Frequency            | 868.3 MHz (Europe, China)  |
| Transmission power   | < 25 mW  |
| Data rate            | 66 kbps  |
| Channel bandwidth    | 480 kHz  |
| Voltage supply       | electrodynamic energy generator  |
| Ambient temperature  | -20 °C ... +65 °C  |
| Operation cycles     | max. 12000 telegrams with repetitions/h  |
| Wireless range       | max. 700 m outdoors,<br>max. 50 m indoors  |
| Mechanical life      | > 1 million operations   |
| Actuating time       | min. 80 ms   |
| Note                 | no status signal available   |
| Wireless approvals   | Europe: RED 2014/53/EU   |
| Weight               | 62 g   |

Errors and omissions excepted.

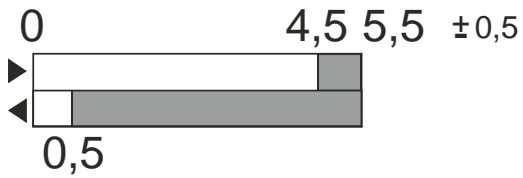


Wireless position switch

RF 95 W ULR SW868

Material number: 1190519 (Material number old: 95902004)

Switching diagram



Errors and omissions excepted.