



## Ex safety switch with separate actuator

Ex AZ 16 1Ö/1S-30N - 2m

Material number: 1172472 (Material number old: 16253302)

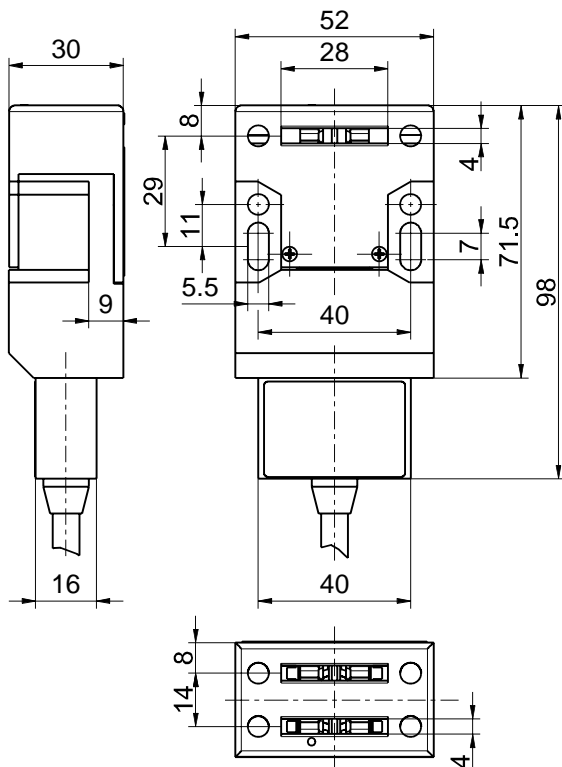
### Features/Options:

- Ex zone 1 and 21
- Thermoplastic enclosure
- Multiple coding
- With pre-wired cable

### Notes

- The actuator is not included in the delivery of the switches

### Dimensions



### Technical data

Applied standards	EN 60947-5-1, EN 60079-0, EN 60079-1, EN 60079-31, EN ISO 13849-1, EN ISO 14119
Enclosure	thermoplastic, glass-fibre reinforced, impact resistant, self-extinguishing UL 94 V-0
Switch type	type 2
Coding level	low coding
Degree of protection	IP 65 to IEC/EN 60529
$B_{10d}$ (10 % load)	2 million
$T_M$	max. 20 years
Switch insert	1 x Ex 13
Contact material	silver
Switching system	slow action, positive break NC contacts $\ominus$
Switching elements	1 NC/1 NO contact, type Zb
Connection	pre-wired cable H05VV-F
Cable cross-section	4 x 0.75 mm <sup>2</sup> (incl. conductor ferrules)
Cable length	2 m
Rated impulse withstand voltage $U_{imp}$	4 kV
Rated insulation voltage $U_i$	250 V
Conventional thermal current $I_{the}$	T6: 6 A, T5: 3 A
Rated operating current/voltage $I_g/U_g$	6 A/250 VAC; 0.25 A/230 VDC
Utilisation category	AC-15; DC-13
Short-circuit protection	6 A gG/gN fuse

Errors and omissions excepted.




## Ex safety switch with separate actuator

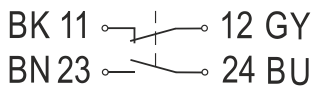
Ex AZ 16 1Ö/1S-30N - 2m

Material number: 1172472 (Material number old: 16253302)

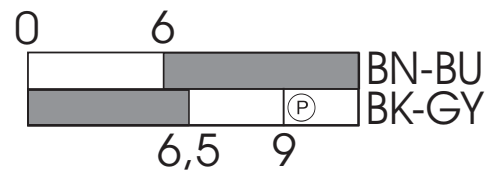
### Technical data

Positive break travel	9.5 mm
Positive break force	approx. 15 N
Ambient temperature	T6: -20 °C ... +65 °C, T5: -20 °C ... +75 °C, +90 °C with max. 3 A
Mechanical life	> 1 million operations
Impact energy	max. 7 J
Ex marking	⊕ II 2G Ex db IIC T6/T5 Gb, ⊕ II 2D Ex tb IIIC T80 °C/T95 °C Db IECEX Ex db IIC T6/T5 Gb, Ex tb IIIC T80 °C/T95 °C Db
Approvals	PTB 03 ATEX 1068 X * IECEX PTB 06.0053X *  EAC  us* referring to the switch insert
Weight	270 g

### Contact diagram



### Switching diagram



Ⓟ Positive break travel/angle

#### Note

Inserted position of actuator = 0 in switching diagram.  
The actuator is not included with the switches.