

Accessories for ST 14 / Ex ST 14

Flexible actuator ST 14-B3

Material number: 1040842 (Material number old: 04.14.8203)

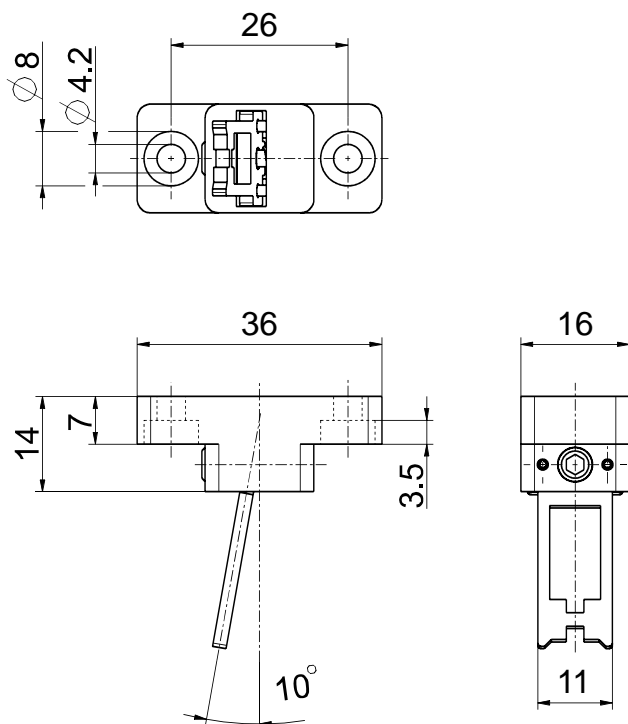
Features/Options:

- Especially suitable for hinged guards
- Stainless steel 1.4301
- Actuating radius on hinged guards:
Axial misalignment $x = 14$ mm:
a: min. 55 mm
Axial misalignment $x = 0$ mm:
a: min. 90 mm

Notes

- 1 slot sealing plug is included in delivery

Dimensions



Technical data

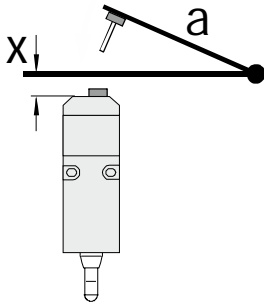
Weight	10 g
--------	------

Accessories for ST 14 / Ex ST 14

Flexible actuator ST 14-B3

Material number: 1040842 (Material number old: 04.14.8203)

Actuating radius narrow edge



The axis of the hinge should be x mm above the top edge of the safety switch and in the same plane.

a = Actuating radius to the plane of the actuator

x = Axial misalignment

Attention! x must be referred to the surface of the enclosure and not to the inserted actuator!