



Safety sensor Extreme RC Si M30 1Ö/1S - 10m - Niro - IP69 Extreme Material number: 1482181

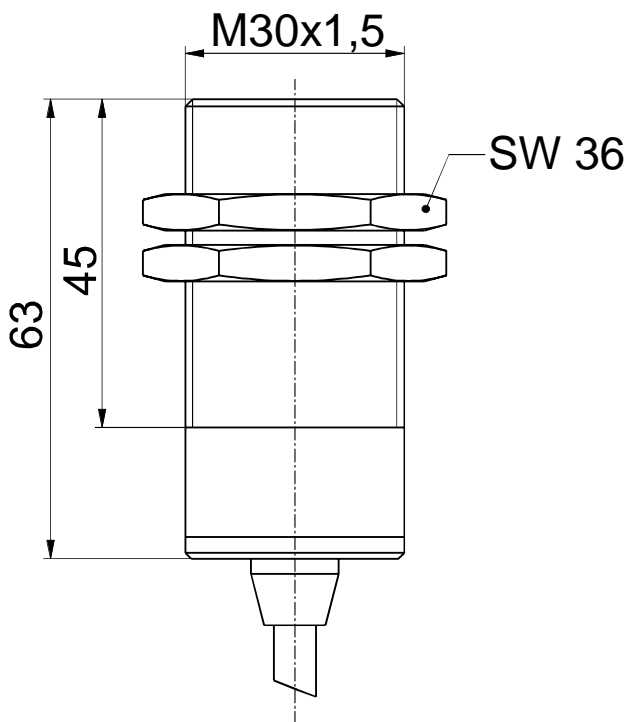
Features/Options:

- Version with higher degree of protection IP 69: suitable for cleaning with 80 °C hot water at 100 bar pressure at a distance of 100 mm from different directions
- Stainless steel enclosure
- Long life
- Reed contacts, coded
- Actuation from front
- Switching distance up to 10 mm
- With pre-wired cable

Notes

- 2 mounting nuts are included in delivery
- The actuator is not included in the delivery of the switches

Dimensions



Technical data


| | |
|------------------------------|---|
| Applied standards | EN ISO 13849-1, EN ISO 14119, EN 60947-5-2, EN 60947-5-3* |
| Enclosure | stainless steel 1.4539 |
| Sensor type | type 4 interlocking device |
| Coding level | low coding |
| Tightening torque | mounting nut: max. 75 Nm |
| Degree of protection | IP 66, IP 67, IP 69 (IEC/EN 60529) / IP 69K (ISO 20653) |
| Safety-relevant data: | |
| EN ISO 13849-1 | Performance Level PL e |
| Category | 4 |
| B _{10d} (10 % load) | 20 million |
| T _M | max. 20 years |
| MTTF _d | > 100 years |
| DC/DC _{avg} | > 99 % |
| h _{op} | 8 h/day |
| d _{op} | 220 days/year |
| t _{zyklus} | 20 s |
| Note | The safety-related data are only valid in combination with a safety module, e.g. SRM 21 RT2 (mat. no. 1179203). |
| Switching system | reed contacts |
| Switching elements | 1 NC/1 NO contact |
| Connection | cable 4 x AWG 20 |

Errors and omissions excepted.

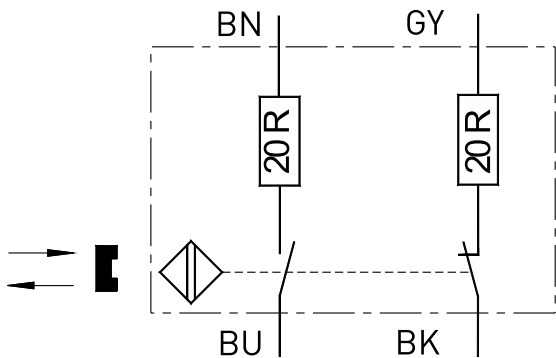


Safety sensor Extreme
 RC Si M30 1Ö/1S - 10m - Niro - IP69 Extreme
 Material number: 1482181

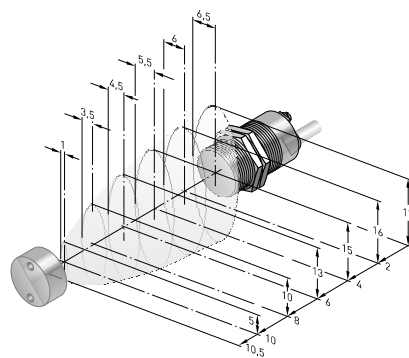
Technical data

| | |
|---|---|
| Cable cross-section | 4 x 0.56 mm ² |
| Cable length | 10 m |
| Switching voltage | max. 30 VDC |
| Rated operating current/ voltage I_e/U_e | max. 157 mA / 24 VDC |
| Utilisation category | DC-12 |
| Voltage drop at I_e | max. 3.15 V |
| Short-circuit current I_k | max. 750 mA for 50 ms |
| Switching frequency | max. 5 Hz |
| Degree of pollution | 3 |
| Safety class | II |
| Rated switching distance s_n | 10 mm |
| Assured switching distance »ON« s_{ao} | 8 mm |
| Assured switching distance »OFF« s_{ar} | 30 mm |
| Repeatability | ± 0.5 mm |
| Hysteresis | approx. 14 mm |
| Ambient temperature | -20 °C ... +85 °C |
| Mechanical life | > 10 million operations |
| Approvals |  |

Contact diagram



Axial misalignment



Errors and omissions excepted.