



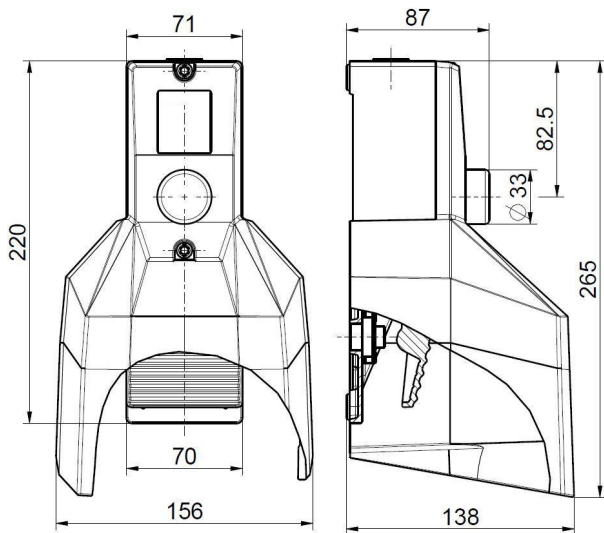
## Safety foot switch GFS IK 1ÖS D 1Ö VD

Material number: 1181480 (Material number old: 81281905)

### Features/Options:

- Metal enclosure
- Wiring compartment
- Without switching impulse when unlocking foot switch;  
NO contact 13-14 is converted into positive break NC contact  $\ominus$   
by internal baffle after pressure point,  
Safety contact: 13-14  $\ominus$ , Signalling contact: 21-22

### Dimensions



### Technical data

Applied standards	EN ISO 13849-1, EN 60947-5-1, GS-ET-15
Enclosure	aluminium die-cast, powder-coated
Pedal	thermoplastic, glass-fibre reinforced, impact resistant, self-extinguishing UL 94 V-0
Protective shield	aluminium die-cast, powder-coated
Degree of protection	IP 65 to IEC/EN 60529
$B_{10d}$ (10 % load)	200 000
$T_M$	max. 20 years
Connection	screw connection terminals
Cable cross-section	max. 2.5 mm <sup>2</sup> (incl. conductor ferrules)
Cable entry	1 x M20 x 1.5
Contact material	silver
Switching system	slow action, positive break NC contacts $\ominus$
Switch insert	1 x EM 232 IK 1Ö/1S-V
Switching elements	1 NO/1 NC contact, type Zb
Actuating force	pressure point approx. 245 N
Utilisation category	AC-15
Rated impulse withstand voltage $U_{imp}$	6 kV
Rated insulation voltage $U_i$	500 V
Conditional short-circuit current	1100 A
Conventional thermal current $I_{the}$	6 A

Errors and omissions excepted.



## Safety foot switch GFS IK 1ÖS D 1Ö VD

Material number: 1181480 (Material number old: 81281905)

### Technical data

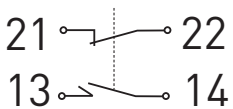
Rated operating current/ voltage $I_e/U_e$	6 A/400 VAC
Contact load capacity	max. 400 VAC, max. 6 A ( $\cos \varphi = 1$ )
Short-circuit protection	6 A gG/gN fuse
Ambient temperature	-25 °C ... +80 °C
Mechanical life	> 100 000 operations

Approvals

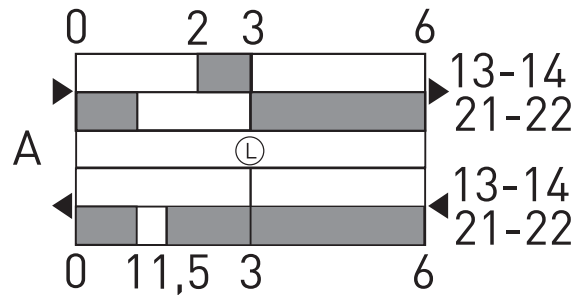


Weight	1296 g
--------	--------

### Contact diagram



### Switching diagram



Ⓐ Latching point