



## Position switch

E 12 R - 2m

Material number: 1044360 (Material number old: 12709907)

### Features/Options:

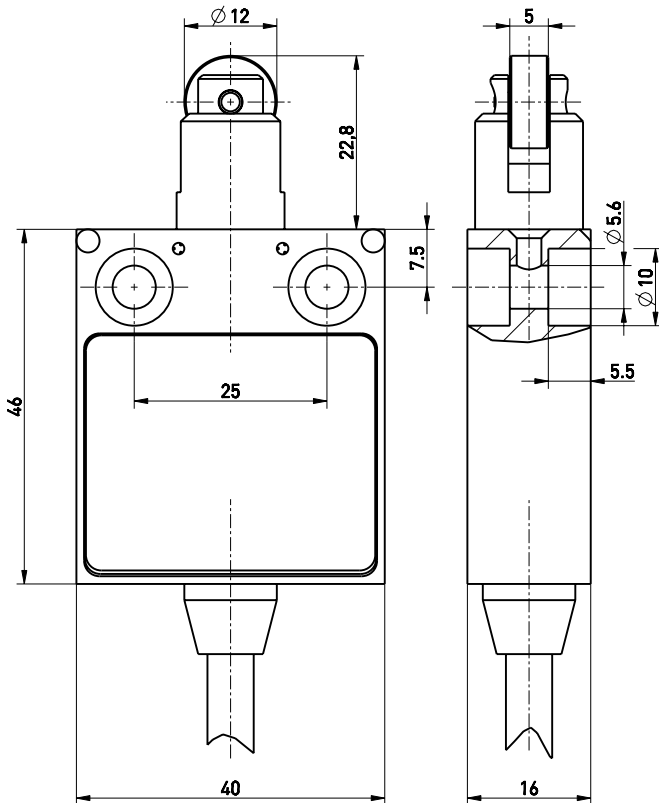
- Metal enclosure
- Snap action, change-over contact with single break
- Suitable for in-line mounting
- With pre-wired cable

### Notes

- Actuator can be repositioned by 90° on request

- Actuator: Roller plunger R
- Actuating speed max. 0.5 m/s with a vertical actuating angle of 30°
- Metal roller

### Dimensions



### Technical data

Applied standards	EN 60947-5-1
Enclosure	aluminium die-cast, powder-coated
Degree of protection	IP 67 to IEC/EN 60529
Contact material	silver
Switching elements	1 change-over contact with single break, type C
Switching system	snap action
Connection	pre-wired cable H05VV-F
Cable cross-section	4 x 0.75 mm <sup>2</sup>
Cable length	2 m
Rated impulse withstand voltage $U_{imp}$	4 kV
Rated insulation voltage $U_i$	250 V
Conventional thermal current $I_{the}$	5 A
Utilisation category	AC-15; DC-13
Rated operating current/voltage $I_e/U_e$	5 A/250 VAC; 0.16 A/230 VDC
Short-circuit protection	5 A gG/gN fuse
Mechanical life	> 1 million operations
Operation cycles	max. 1800/h
Ambient temperature	-20 °C ... +75 °C
Approvals	
Weight	240 g

Errors and omissions excepted.

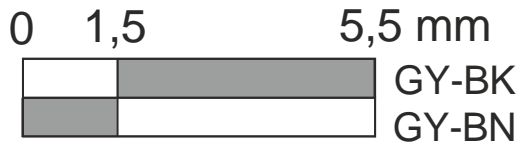


## Position switch

E 12 R - 2m

Material number: 1044360 (Material number old: 12709907)

### Switching diagram



### Contact diagram

