



## Safety foot switch GFSI 2S D 2Ö VD

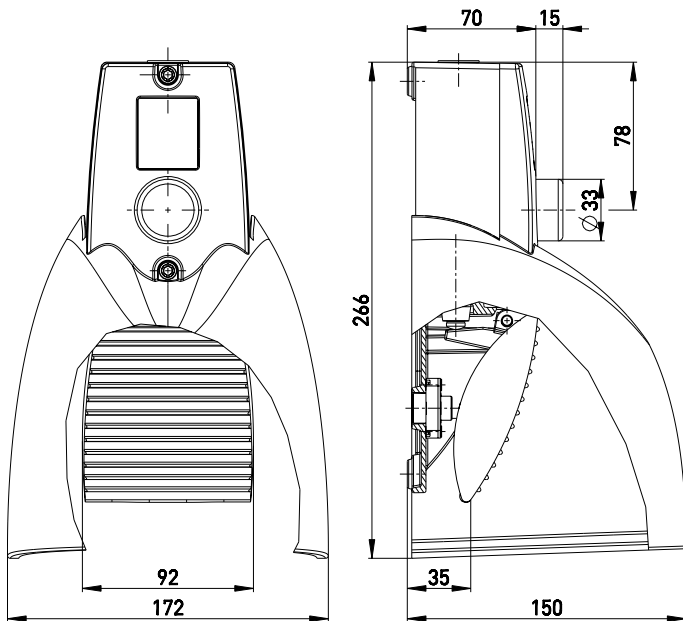
Material number: 1177932 (Material number old: 53233001)

### Features/Options:

- NC contact 15-16  $\ominus$  in series with NO contact 23-24 (internal wiring)
- Ergonomic pedal design and wide opening in protective shield

- Wiring compartment

### Dimensions



### Technical data

Applied standards	EN ISO 13849-1, EN 60947-5-1, GS-ET-15
Enclosure	aluminium die-cast, powder-coated
Pedal	aluminium die-cast, powder-coated
Protective shield	aluminium die-cast, powder-coated
Degree of protection	IP 65 to IEC/EN 60529
$B_{10d}$ (10 % load)	200 000
$T_M$	max. 20 years
Connection	screw connection terminals
Cable cross-section	max. 2.5 mm <sup>2</sup> (incl. conductor ferrules)
Cable entry	1 x M20 x 1.5
Contact material	silver
Switching system	slow action, positive break NC contacts $\ominus$
Switch insert	2 x ES 60 GF VD
Switching elements	2 NO/2 NC contacts
Actuating force	pressure point approx. 245 N
Utilisation category	AC-15
Rated impulse withstand voltage $U_{imp}$	6 kV
Rated insulation voltage $U_i$	500 V
Conditional short-circuit current	1100 A
Conventional thermal current $I_{the}$	16 A
Rated operating current/voltage $I_e/U_e$	16 A/400 VAC
Contact load capacity	max. 400 VAC, max. 16 A (cos $\varphi$ = 1)

Errors and omissions excepted.



## Safety foot switch GFSI 2S D 2Ö VD

Material number: 1177932 (Material number old: 53233001)

### Technical data

Short-circuit protection 16 A gG/gN fuse

Ambient temperature -25 °C ... +80 °C

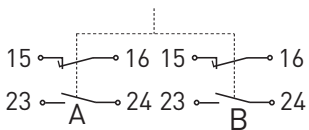
Mechanical life > 100 000 operations

Approvals

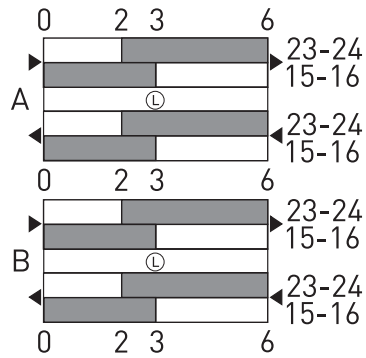


Weight 1578 g

### Contact diagram



### Switching diagram



Ⓛ Latching point