



Position switch ES 51 HK 1Ö/1S

Material number: 1047032 (Material number old: 51017001)

Features/Options:

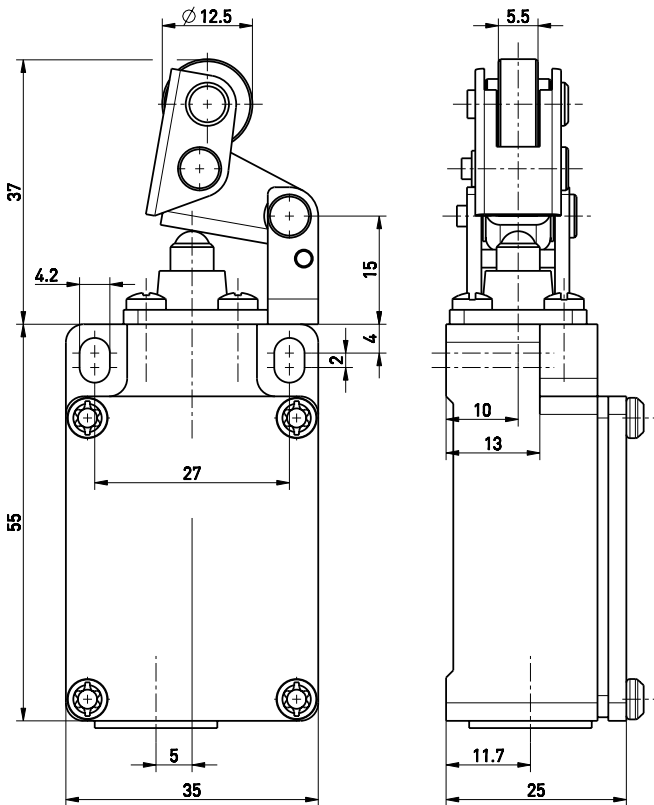
- Metal enclosure
- Slow action \ominus , change-over contact with double break
- 1 cable entry M16 x 1.5
- Actuator: Offset roller lever HK
- Actuating speed max. 0.5 m/s with an actuating angle of 40°

- Actuation only possible from right-hand side
- Free movement of actuator from left-hand side
- Wear-resistant plastic roller
- Actuator can be repositioned by 4 x 90°

Notes

- With metal roller available on request

Dimensions



Technical data

Applied standards	EN 60947-5-1
Enclosure	aluminium die-cast, powder-coated
Degree of protection	IP 65 to IEC/EN 60529
Contact material	silver
Switching system	slow action
Switching elements	1 NC/1 NO contact, type Zb
Connection	screw connection terminals
Cable cross-section	max. 1.5 mm ² (incl. conductor ferrules)
Cable entry	1 x M16 x 1.5
Rated impulse withstand voltage U_{imp}	4 kV
Rated insulation voltage U_i	400 V
Conventional thermal current I_{the}	4 A
Utilisation category	AC-15
Rated operating current/voltage I_e/U_e	4 A/400 VAC
Short-circuit protection	4 A gG/gN fuse
Mechanical life	> 1 million operations
Operation cycles	max. 3600/h
Ambient temperature	-20 °C ... +80 °C
Repeat accuracy of switching points	± 0.1 mm

Approvals



Errors and omissions excepted.



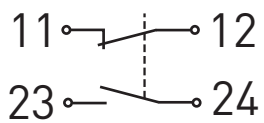
Position switch ES 51 HK 1Ö/1S

Material number: 1047032 (Material number old: 51017001)

Technical data

Weight 135 g

Contact diagram



Switching diagram

