



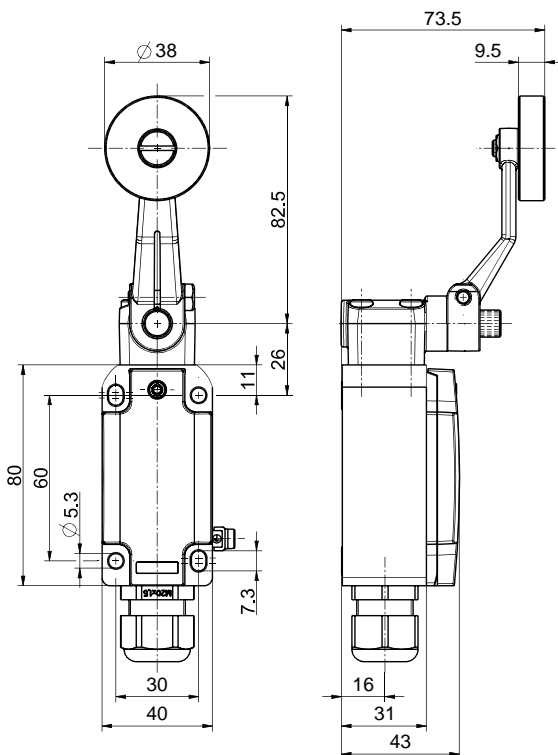
Ex position switch with safety function Ex ES 98 DL-11-3G/D Material number: 1454693

Features/Options:

- Ex zone 2 and 22
- Metal enclosure
- Design to EN 50041
- Wiring compartment
- Actuator: Long rocking lever DL

- Actuating speed max. 2.5 m/s with a vertical actuating angle of 30°
- Wear-resistant plastic roller
- Lever angle adjustable in 10° steps
- Actuator can be repositioned by 4 x 90°

Dimensions



Technical data

| | |
|--|--|
| Applied standards | EN 60947-5-1, EN 60079-0, EN 60079-1, EN 60079-7, EN 60079-31, EN ISO 13849-1, EN ISO 14119 |
| Enclosure | aluminium die-cast, corrosion-resistant, powder-coated, anthracite grey, similar to RAL 7016 |
| Cover | aluminium die-cast, powder-coated, signal yellow, similar to RAL 1003 |
| Sealing | silicone |
| Switch type | type 1 |
| Coding level | no coding |
| Degree of protection | IP 67 to IEC/EN 60529 |
| B _{10d} (10 % load) | 2 million |
| T _M | max. 20 years |
| Contact material | silver |
| Switching system | slow action, positive break NC contacts \ominus |
| Switching elements | 1 NC/1 NO contact, type Zb |
| Connection | screw connection terminals |
| Cable cross-section | min. 0.5 mm ² / AWG 24, max. 1.5 mm ² / AWG 16, incl. conductor ferrules |
| Cable entry | 1 x M20 x 1.5 (incl. 1 cable gland) |
| Clamping range | 7 ... 13 mm |
| Rated impulse withstand voltage U _{imp} | 4 kV |
| Rated insulation voltage U _i | 250 V |
| Conventional thermal current I _{the} | 6 A |

Errors and omissions excepted.

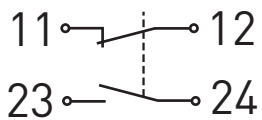


Ex position switch with safety function
 Ex ES 98 DL-11-3G/D
 Material number: 1454693

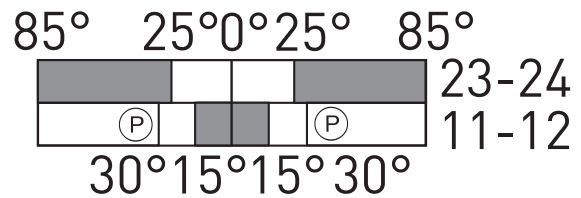
Technical data

| | |
|---|---|
| Rated operating current/ voltage I_e/U_e | 2 contacts: 6 A/250 VAC; 0.25 A/230 VDC 3 contacts: 1.5 A/250 VAC; 0.2 A/250 VDC |
| Utilisation category | AC-15; DC-13 |
| Short-circuit protection | 6 A gG/gN fuse |
| Ambient temperature | T6: -20 °C ... +40 °C; T5: -20 °C ... +60 °C |
| Mechanical life | > 1 million operations |
| Operation cycles | max. 1800/h |
| Repeat accuracy of switching points | ± 0.1 mm |
| Impact energy | max. 7 J |
| Ex marking | ⊕ II 3G Ex dc ec IIC T6/T5 Gc, ⊕ II 3D Ex tc IIIC T80 °C/T95 °C Dc |
| Weight | 356 g |

Contact diagram



Switching diagram



Ⓟ Positive break travel/angle