



Ex solenoid interlock

Ex AZM 415 1Ö1S/1Ö1S A-3D

Material number: 1182198 (Material number old: 94353316)

Features/Options:

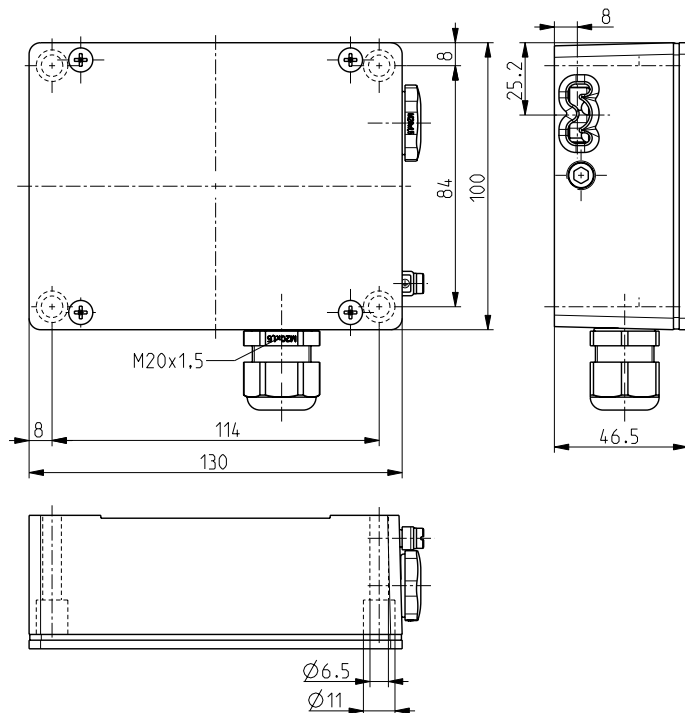
- Ex zone 22
- Two Ex switch inserts in one enclosure
- Power-to-lock principle
- Problem-free opening of stressed doors by means of bell-crank system

Notes

- The actuator is not included in the delivery of the switches
- 1 additional cable gland M20x1.5 is included in delivery

- High locking force 3500 N
- Ball catch
- Wiring compartment

Dimensions



Technical data

Applied standards	EN 60947-5-1, EN ISO 14119, EN 60079-0, EN 60079-31, EN ISO 13849-1
Enclosure	aluminium die-cast, enamel finish
Cover	aluminium, enamel finish
Switch type	type 2
Coding level	low coding
Tightening torque	cover screws: 0.5 ... 0.6 Nm switch inserts M3 screw connection terminals: min. 0.6 Nm
Degree of protection	IP 67 to IEC/EN 60529
B _{10d} (10 % load)	2 million
T _M	max. 20 years
Contact material	silver
Switching system	slow action, positive break NC contacts \ominus
Switching elements	1 NC/1 NO contact + 1 NC/1 NO contact
Connection	screw connection terminals
Cable cross-section	max. 2.5 mm ² (incl. conductor ferrules)
Cable entry	2 x M20 x 1.5 (incl. 1 cable gland)
Clamping range	7 ... 12 mm
Rated impulse withstand voltage U _{imp}	4 kV
Rated insulation voltage U _i	250 V
Conventional thermal current I _{the}	6 A

Errors and omissions excepted.



Ex solenoid interlock

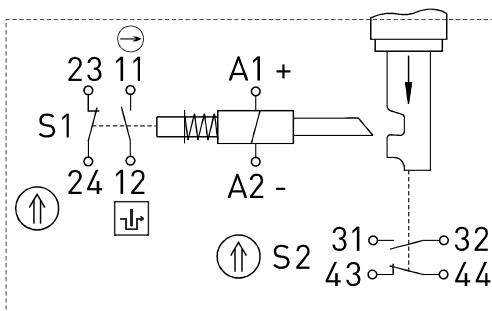
Ex AZM 415 1Ö1S/1Ö1S A-3D

Material number: 1182198 (Material number old: 94353316)

Technical data

Utilisation category	AC-15; DC-13
Rated operating current/voltage I_e/U_e	enabling/signalling contacts: 6 A/250 VAC; 0.25 A/230 VDC; direct-current solenoid: 0.08 A / 24 VDC $\pm 10\%$
Short-circuit protection	6 A gG/gN fuse
Power consumption	max. 12 W (0.25 s)
Ambient temperature	-20 °C ... +55 °C
Drop-out delay	< 50 ms
Mechanical life	> 1 million operations
Locking force F_{max}	3500 N
Locking force of integrated ball	50 - 200 N, adjustable catch
Impact energy	max. 7 J
Ex marking	Ex II 3D Ex tc IIIC T80°C Dc
Weight	1000 g

Contact diagram



- positive break
- actuated
- not actuated
- monitoring of the guard-lock to EN ISO 14119

Errors and omissions excepted.