



## Wireless position switch RF 95 WPH LR SW915

Material number: 1258383 (Material number old: 95920007)

### Features/Options:

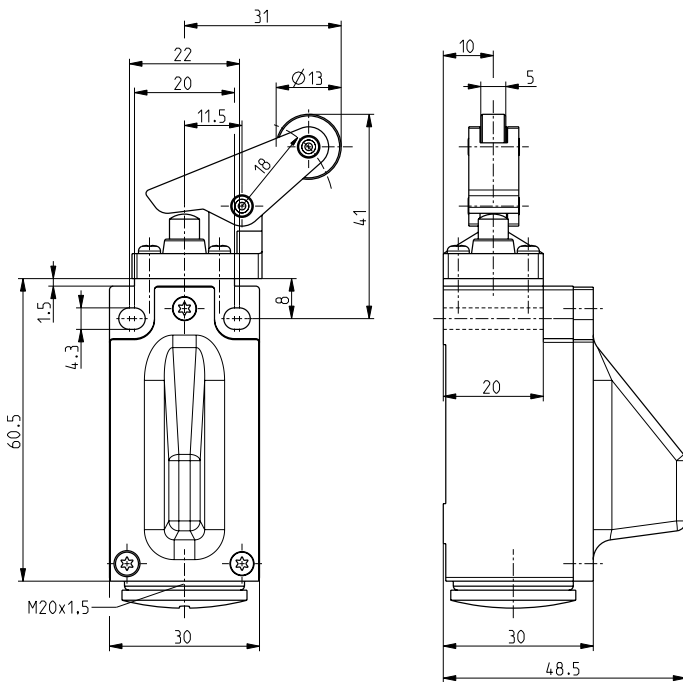
- Thermoplastic enclosure
- Design to EN 50047
- sWave® wireless technology
- No power supply, no wiring and pipe laying required
- Easy programming of receiver
- Output signal can be individually configurated at the receiver

- Actuator: Parallel roller lever with collar WPH
- Actuating speed max. 0.5 m/s with an actuating angle of 30°
- Watertight collar for protection against penetration of dirt
- Wear-resistant plastic roller
- Actuator can be repositioned by 4 x 90°
- Actuation parallel to switch from below

### Notes

- With metal roller available on request

### Dimensions



### Technical data

Applied standards	EN 60947-5-1, EN 61000-6-2, EN 61000-6-3, EN 61000-4-2, EN 301 489-1, EN 301 489-3, EN 300 220-1, EN 300 220-2
Enclosure	thermoplastic, glass-fibre reinforced, impact resistant, self-extinguishing UL 94 V-0
Cover	thermoplastic, glass-fibre reinforced, impact resistant, self-extinguishing UL 94 V-0
Tightening torque	enclosure mounting screws: 1.2 ... 1.3 Nm cover screws: 0.5 ... 0.6 Nm
Degree of protection	IP 67 to IEC/EN 60529
Protocol	sWave®
Frequency	915 MHz (USA, Canada, Mexico, Australia)
Transmission power	< 25 mW
Data rate	66 kbps
Channel bandwidth	550 kHz
Voltage supply	electrodynamic energy generator
Ambient temperature	-20 °C ... +65 °C
Operation cycles	max. 12000 telegrams with repetitions/h
Wireless range	max. 450 m outdoors, max. 40 m indoors
Mechanical life	> 1 million operations
Actuating time	min. 80 ms
Note	no status signal available

Errors and omissions excepted.



## Wireless position switch

RF 95 WPH LR SW915

Material number: 1258383 (Material number old: 95920007)

### Technical data

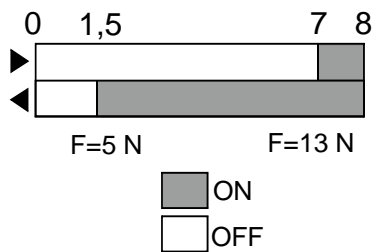
Wireless approvals

USA: FCC - XK5-RF95SW915SR  
Canada: IC - 5158A-  
RF95SW915SR  
Mexico: IFT - RCPSTRF17-1885

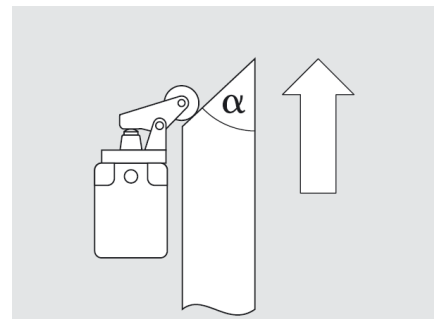
Weight

80 g

### Switching diagram



### Actuating angle



$\alpha$  - Actuating angle from bottom of switch axis as shown in picture