



Ex magnetic sensor

Ex RC 2580 1W-B-Niro-2m

Material number: 1190152 (Material number old: 22533202)

Features/Options:

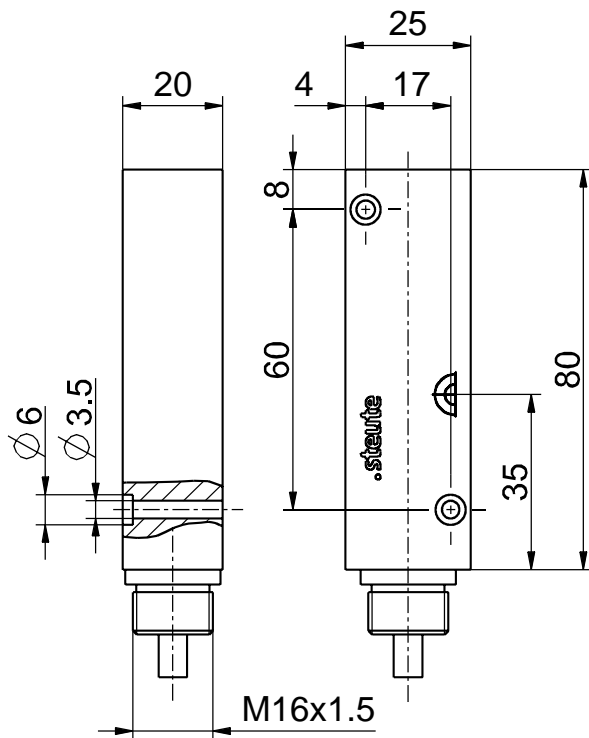
- Ex zone 1 and 21
- Stainless steel enclosure
- Cold-resistant down to -40 °C
- All side actuation

Notes

- The Ex RC 2580 B (with mounting thread) has "double reinforced insulation". These devices do not require earthing.
- The actuator is not included in the delivery of the switches

- With pre-wired cable
- With mounting thread M16 x 1.5 for cable protection system
- Attention: Please state required international approvals with your order!

Dimensions



Technical data

Applied standards	EN 60947-5-2, EN 60079-0, EN 60079-18
Enclosure	stainless steel 1.4571
Degree of protection	IP 67 (EN 60079-0 + IEC/EN 60529) IP 68, IP 69 (IEC/EN 60529) IP 69K (ISO 20653)
Switching system	reed contacts
Switching elements	1 change-over contact
Connection	pre-wired cable H05VV-F
Cable cross-section	3 x 0.75 mm ²
Cable length	2 m
Switching voltage	max. 250 VAC
Switching current	max. 0.5 A
Short-circuit current I _k	max. 2 A
Switching capacity	max. 30 W/VA
Ambient temperature	-40 °C ... +70 °C
Mechanical life	> 1 million operations
Vibration resistance	max. 15 g
Shock resistance	max. 10 g
Impact energy	max. 7 J
Ex marking	⊕ II 2G Ex mb IIC T6 Gb, ⊕ II 2D Ex mb IIIC T80 °C Db IECEx Ex mb IIC T6 Gb Ex mb IIIC T80 °C Db

Errors and omissions excepted.



Ex magnetic sensor
Ex RC 2580 1W-B-Niro-2m
Material number: 1190152 (Material number old: 22533202)

Technical data

Approvals

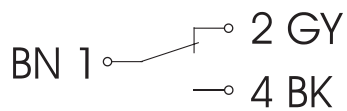
DMT 01 ATEX E 058 X
IECEX BVS 07.0007 X



Weight

396 g

Contact diagram



Axial misalignment

