



Ex emergency pull-wire switch Ex ZS 92 S 22 VD F Material number: 1326899

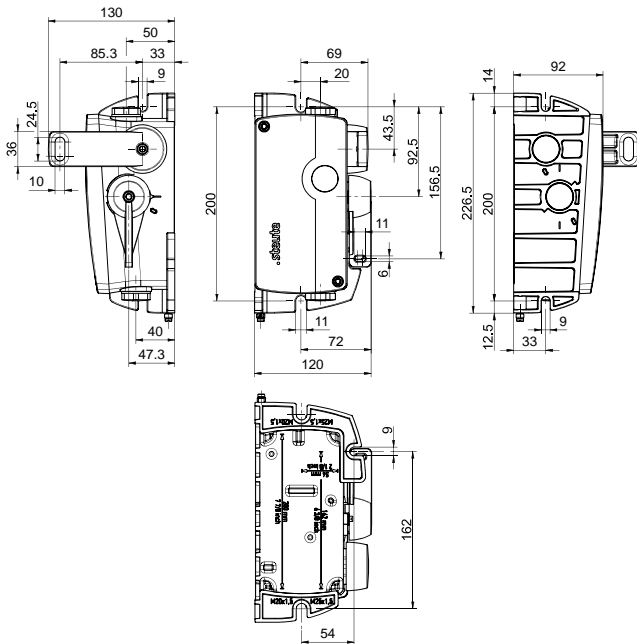
Features/Options:

- Ex zone 1 and 21
- Corrosion-resistant aluminium enclosure
- Screws made of stainless steel
- Wire length up to 2 x 100 m
- Release by lever
- F = Reset lever at the front side
- Back and base mounting possible
- Wire pull and breakage detection

Notes

- At 3 m distance intermediate wire supports are required. Two compensation springs type ZS 90/91/92 S must be installed, see accessories.

Dimensions



Technical data

Applied standards	EN 60947-5-1, EN 60947-5-5, EN ISO 13850, EN ISO 13849-1, EN 60079-0, EN 60079-1, EN 60079-7, EN 60079-31, EN 620-5.7.2.9, AS 1755-2000-2.7.9.1, AS/NZS 4024.3610:2015-2.10.6.2
Enclosure	aluminium die-cast, corrosion-resistant, powder-coated, passivated, shock-proof, anthracite grey, similar to RAL 7016
Cover	aluminium die-cast, corrosion-resistant, powder-coated, passivated, shock-proof, signal yellow, similar to RAL 1003
Actuating lever	aluminium die-cast, corrosion-resistant, powder-coated, passivated, shock-proof, signal red, similar to RAL 3001
Reset lever	aluminium die-cast, corrosion-resistant, powder-coated, passivated, shock-proof, sky blue, similar to RAL 5015
Screws	stainless steel
Tightening torque	cover screws: max. 2.5 Nm actuator screws: max. 6 Nm
Degree of protection	IP 65 (EN 60079-0 + IEC/EN 60529)
B _{10d} (10 % load)	100 000
T _M	max. 20 years
Contact material	silver
Switching system	snap action, positive break NC contacts \ominus
Switching elements	2 NC/2 NO contacts, type Zb

Errors and omissions excepted.



Ex emergency pull-wire switch
Ex ZS 92 S 22 VD F
Material number: 1326899

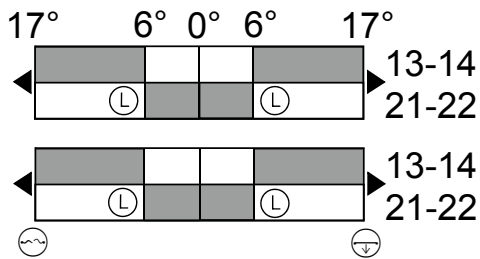
Technical data

Connection	screw connection terminals
Cable cross-section	min. 0,75 mm ² / AWG 18, max. 2,5 mm ² / AWG 14, incl. conductor ferrules
Cable entry	2 x M25 x 1.5
Rated impulse withstand voltage U _{imp}	6 kV
Rated insulation voltage U _i	250 V
Conventional thermal current I _{the}	2 A / 4 A / 6 A
Utilisation category	AC-15
Rated operating current/voltage I _e /U _e	max. 2 A/4 A/6 A / 250 VAC
Short-circuit protection	2 A / 4 A / 6 A gG/gN fuse
Mechanical life	> 50 000 operations
Max. wire length	2 x 100 m
Ambient temperature	-10 °C ... +55 °C max. 2 A, -10 °C ... +50 °C max. 4 A, -10 °C ... +45 °C max. 6 A
Degree of pollution	3
Actuating force	actuating lever approx. 30 N; reset lever approx. 40 N
Ex marking	II 2G Ex db eb IIC T6 Gb, II 2D Ex tb IIIC T80 °C Db IECEX Ex db eb IIC T6 Gb, Ex tb IIIC T80 °C Db
Approvals	BVS 19 ATEX E 076 IECEX BVS 19.0074
Weight	1900 g



Ex emergency pull-wire switch
Ex ZS 92 S 22 VD F
Material number: 1326899

Switching diagram



- Ⓛ Latching point
- Ⓜ Wire breakage detection
- Ⓣ Wire pull detection

Contact diagram

