



Command device

ES 14 RSTB I → 0 ← II-1m

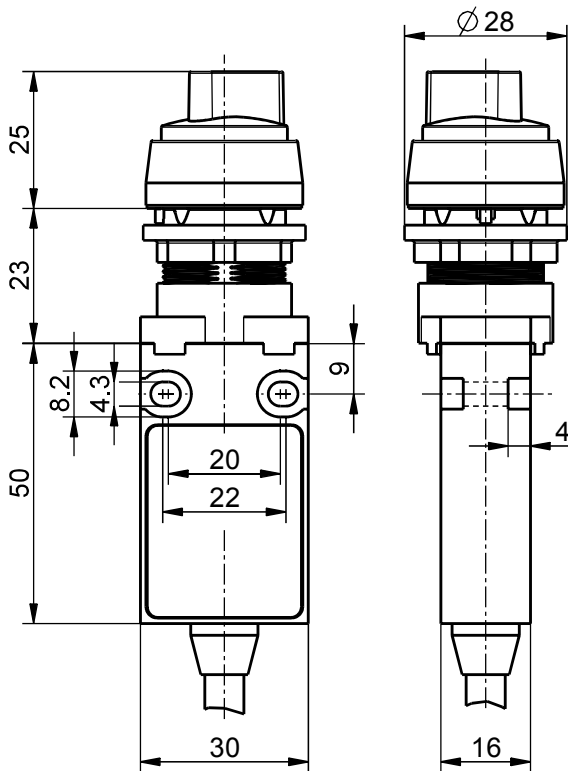
Material number: 1184714 (Material number old: 14057007)

Features/Options:

- Thermoplastic enclosure
- Double insulated
- Mounting hole diameter 22.5 mm

- Mounting details to EN 50047
- With pre-wired cable
- Actuator: Control switch RST with spring return

Dimensions



Technical data

Applied standards	EN 60947-5-1, EN ISO 13849-1
Enclosure	thermoplastic, glass-fibre reinforced, impact resistant, self-extinguishing UL 94 V-0
Degree of protection	IP 65 to IEC/EN 60529
Contact material	silver
Switching system	slow action, positive break NC contacts \ominus
Switching elements	1 NC/1 NO contact, type Zb
Connection	pre-wired cable H05VV-F
Cable cross-section	4 x 0.75 mm ²
Cable length	1 m
Rated impulse withstand voltage U_{imp}	4 kV
Rated insulation voltage U_i	250 V
Conventional thermal current I_{the}	6 A
Rated operating current/voltage I_g/U_g	6 A/250 VAC; 0.25 A/230 VDC
Utilisation category	AC-15; DC-13
Short-circuit protection	6 A gG/gN fuse
Ambient temperature	-20 °C ... +75 °C
Mechanical life	> 30 000 operations
Operation cycles	max. 1800/h
Contact opening	max. 2 x 4 mm
Approvals	
Weight	130 g

Errors and omissions excepted.

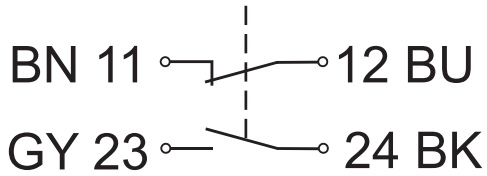


Command device

ES 14 RSTB I → 0 ← II-1m

Material number: 1184714 (Material number old: 14057007)

Contact diagram



Switching diagram



Switching position RSTB



Switching angle $-45^\circ +45^\circ$
with return to central position
I → 0 ← II

Cut out dimensions

