



Ex inductive sensor Ex IS M8nb 2ABBAB N 1GD 2m Material number: 1202204

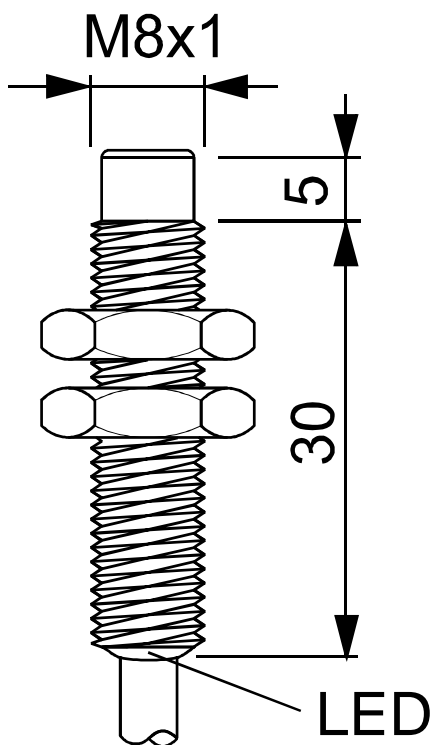
Features/Options:

- Ex zone 0 and 20
- Stainless steel enclosure
- Non-flush mounting
- Long life, no mechanical wear
- Suitable for the food processing industry
- Insensitive to soiling
- With LED
- M8 x 1 thread
- With pre-wired cable
- Attention: Please state required international approvals with your order!
- Appropriate intrinsical safe switch amplifiers see chapter [/ Ex IS Safe switch amplifiers >](#)

Notes

- 2 mounting nuts are included in delivery

Dimensions



Technical data

| | |
|-------------------------------------|--|
| Applied standards | EN 60079-0, EN 60079-11, EN 60079-26 |
| Enclosure | stainless steel 1.4305 |
| Front cap | POM |
| Degree of protection | IP 66, IP 67, IP 68 (EN 60079-0 + IEC/EN 60529) |
| Connection | cable PUR blue |
| Cable diameter | 4.1 mm |
| Cable cross-section | 2 x 0.25 mm ² |
| Cable length | 2 m |
| Switching system | Namur to EN 60947-5-6 |
| Rated switching distance s_n | 2 mm |
| Correction factors | Steel (Fe360) = 1; Stainless steel approx. 0.7; Brass approx. 0.5; Aluminium approx. 0.4; Copper approx. 0.4 |
| Rated operating voltage range U_B | 8.2 VDC |
| Current absorption | in presence of metal ≤ 1 mA; in absence of metal ≥ 3 mA |
| Switching frequency | 2000 Hz |
| Repeatability | ≤ 3 % |
| Protection circuit | Inductive interference protection, protection against polarity reversal, short-circuit and overload proof |
| Ambient temperature | -25 °C ... +60 °C |

Errors and omissions excepted.



Ex inductive sensor
 Ex IS M8nb 2ABBAB N 1GD 2m
 Material number: 1202204

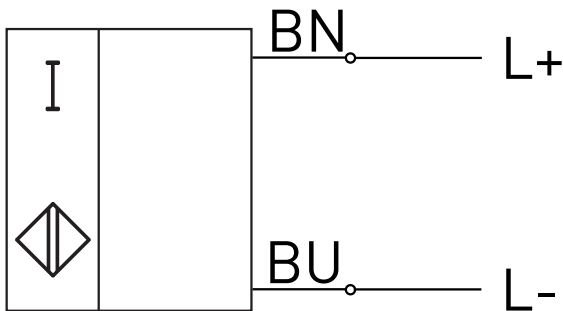
Technical data

Ex marking
 Ⓢ II 1G Ex ia IIB/IIC T6 Ga,
 Ⓢ II 1D Ex ia IIIC T85°C Da
 IP66/IP67/IP68
 IECEx Ex ia IIB/IIC T6 Ga
 Ex ia IIIC T85°C Da IP66/IP67/
 IP68

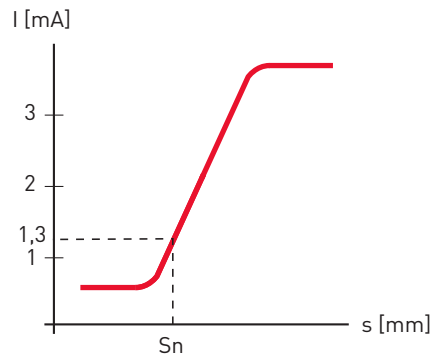
Approvals
 IMQ 14 ATEX 001
 IECEx IMQ 14.0001X

Weight 50 g

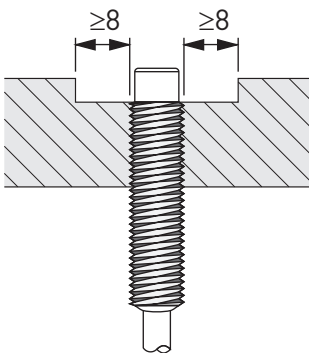
Contact diagram



Switching behaviour



Non-flush mounting



Side by side mounting

