



## Anti-two-block switch ZS 75 2Ö W HES 130N Material number: 1444170

### Features/Options:

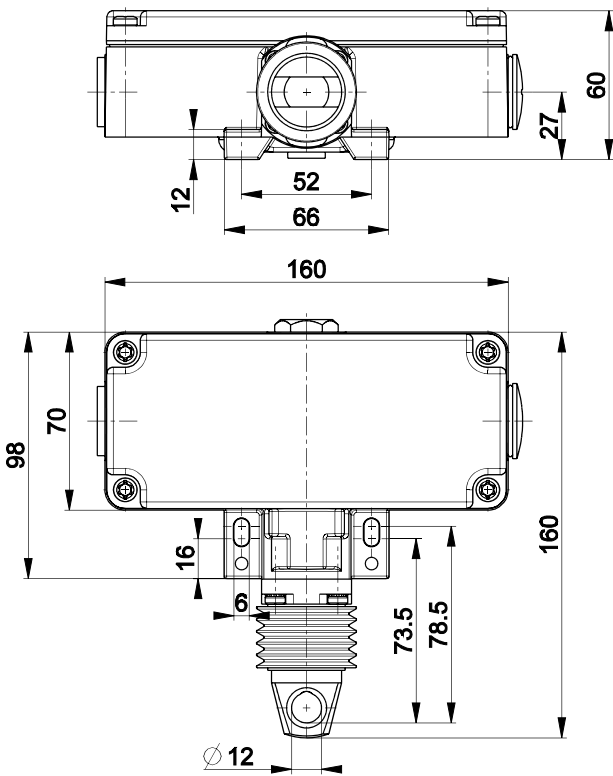
- Metal enclosure
- 2 contacts
- Watertight collar W for protection against penetration of dirt

### Notes

- One wire thimble is provided.

- Tractive force 130 N (counterweight of min. 13 kg to pretension anti-two-block switch)
- For limiting the hoist height

### Dimensions



### Technical data

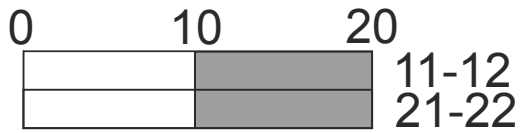
Applied standards	EN 60947-5-1
Enclosure	aluminium die-cast, powder-coated
Cover	aluminium die-cast, powder-coated
Degree of protection	IP 65 to IEC/EN 60529
$B_{10d}$ (10 % load)	200 000
$T_M$	max. 20 years
Contact material	silver
Switching system	snap action
Switching elements	2 NC contacts
Connection	screw connection terminals
Cable cross-section	max. 2.5 mm <sup>2</sup> (incl. conductor ferrules)
Cable entry	1 x M25 x 1.5
Rated impulse withstand voltage $U_{imp}$	6 kV
Rated insulation voltage $U_i$	400 V
Conventional thermal current $I_{the}$	6 A
Utilisation category	AC-15
Rated operating current/voltage $I_e/U_e$	6 A/400 VAC
Short-circuit protection	6 A gG/gN fuse
Ambient temperature	-25 °C ... +70 °C
Mechanical life	> 100 000 operations
Weight	906 g

Errors and omissions excepted.

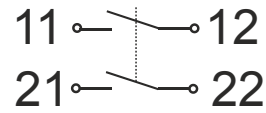


Anti-two-block switch  
ZS 75 2Ö W HES 130N  
Material number: 1444170

## Switching diagram



## Contact diagram



Switching function:  
At rest (switch not pulled) the switching contacts 11-12 and 21-22 are open;  
on actuation (pull wire) the switching contacts are closed.