



Belt alignment switch Extreme ES 98 SR-11U -40°C IP66 Extreme

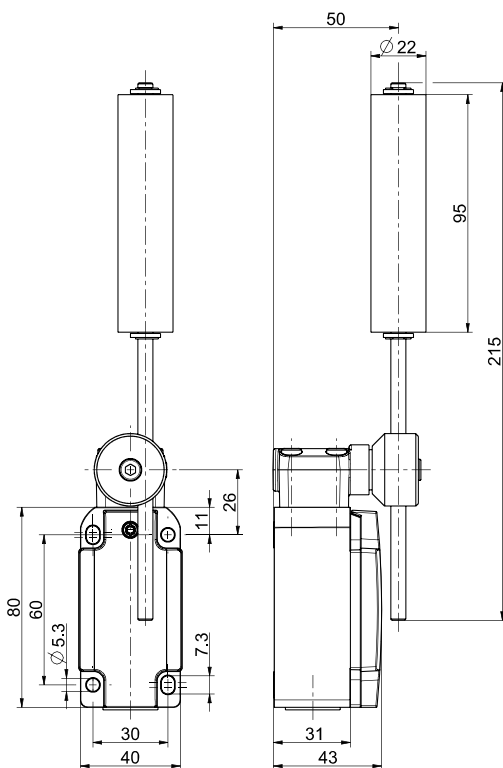
Material number: 1190326 (Material number old: 9102319001)

Features/Options:

- Cold-resistant down to -40 °C
- High degree of protection IP 66
- Metal enclosure
- Design to EN 50041
- 2 contacts

- Adjustable-length stainless steel rod lever with nylon roller
- Belt alignment lever adjustable in 13° steps using a self-locking mechanism
- Attention: Please state required international approvals with your order!

Dimensions



Technical data

Applied standards	EN ISO 13849-1, EN 60947-5-1
Enclosure	aluminium die-cast, corrosion-resistant, powder-coated, anthracite grey, similar to RAL 7016
Cover	stainless steel 1.4401, powder-coated, signal yellow, similar to RAL 1003
Sealing	silicone
Degree of protection	IP 66 to IEC/EN 60529
Contact material	silver
Switching system	slow action
Switching elements	1 NC/1 NO contact with contact overlapping, type Zb
Connection	screw connection terminals
Cable cross-section	max. 2.5 mm ² (incl. conductor ferrules)
Rated impulse withstand voltage U_{imp}	4 kV
Rated insulation voltage U_i	250 V
Conventional thermal current I_{the}	6 A
Rated operating current/voltage I_e/U_e	6 A/250 VAC; 0.25 A/230 VDC
Utilisation category	AC-15; DC-13
Short-circuit protection	6 A gG/gN fuse
Ambient temperature	-40 °C ... +60 °C
Mechanical life	> 1 million operations
Operation cycles	max. 1800/h
Repeat accuracy of switching points	± 0.1 mm

Errors and omissions excepted.

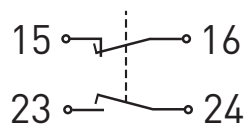


Belt alignment switch Extreme
ES 98 SR-11U -40°C IP66 Extreme
Material number: 1190326 (Material number old: 9102319001)

Technical data

Approvals	ERC
Weight	480 g

Contact diagram



Switching diagram

