



Ex emergency pull-wire switch

Ex ZS 80 2Ö WVD - 3m

Material number: 1182490 (Material number old: 72542301)

Features/Options:

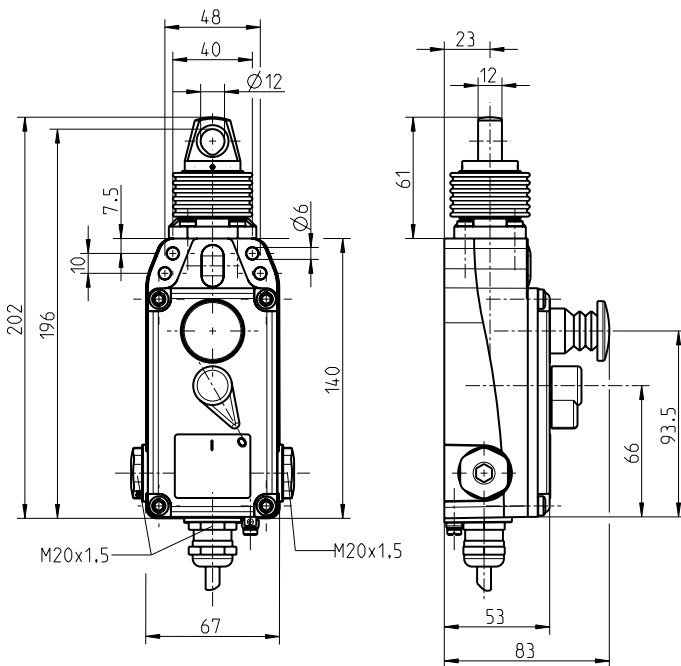
- Ex zone 1 and 21
- Metal enclosure
- 2 contacts
- Position indicator and integrated emergency-stop push button
- Wire length up to 100 m
- Spring force variant: 100 N

- Lever for release and position indication
- Watertight collar
- Wire pull and breakage detection
- Attention: Please state required international approvals with your order!

Notes

- At 5 m distance intermediate wire supports are required. One wire thimble is provided.

Dimensions



Technical data

Applied standards	EN 60947-5-1, EN 60947-5-5, EN 60079-0, EN 60079-1, EN 60079-31, EN ISO 13850, EN ISO 13849-1
Enclosure	aluminium die-cast, enamel finish
Cover	thermoplastic, glass-fibre reinforced, impact resistant, self-extinguishing UL 94 V-0
Degree of protection	IP 65 (EN 60079-0 + IEC/EN 60529) IP 67 (IEC/EN 60529)
B _{10d} (10 % load)	200 000
T _M	max. 20 years
Switch insert	1 x Ex 14
Contact material	silver
Switching system	slow action, positive break NC contacts \ominus
Switching elements	2 NC contacts, type Zb
Connection	pre-wired cable H05VV-F
Cable cross-section	4 x 0.75 mm ² (incl. conductor ferrules)
Cable length	3 m
Rated impulse withstand voltage U _{imp}	4 kV
Rated insulation voltage U _i	250 V
Conventional thermal current I _{the}	T6: 6 A, T5: 3 A
Utilisation category	AC-15; DC-13

Errors and omissions excepted.




Ex emergency pull-wire switch

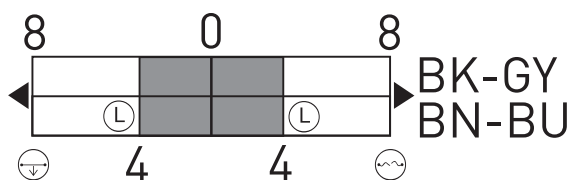
Ex ZS 80 2Ö WVD - 3m

Material number: 1182490 (Material number old: 72542301)

Technical data

Rated operating current/ voltage I_e/U_e	6 A/250 VAC; 0.25 A/230 VDC
Short-circuit protection	6 A gG/gN fuse
Ambient temperature	T6: -20 °C ... +65 °C, T5: -20 °C ... +75 °C, +90 °C with max. 3 A
Mechanical life	> 100 000 operations
Max. wire length	100 m
Impact energy	max. 7 J
Ex marking	⊕ II 2G Ex d IIC T6/T5 Gb, ⊕ II 2D Ex tb IIIC T80 °C/T95 °C Db IECEX Ex d IIC T6/T5 Gb, Ex tb IIIC T80 °C/T95 °C Db
Approvals	PTB 11 ATEX 1003 X IECEX PTB 07.0034 X 
Weight	1036 g

Switching diagram



- Ⓛ Latching point
- Ⓜ Wire breakage detection
- Ⓢ Wire pull detection

Errors and omissions excepted.