

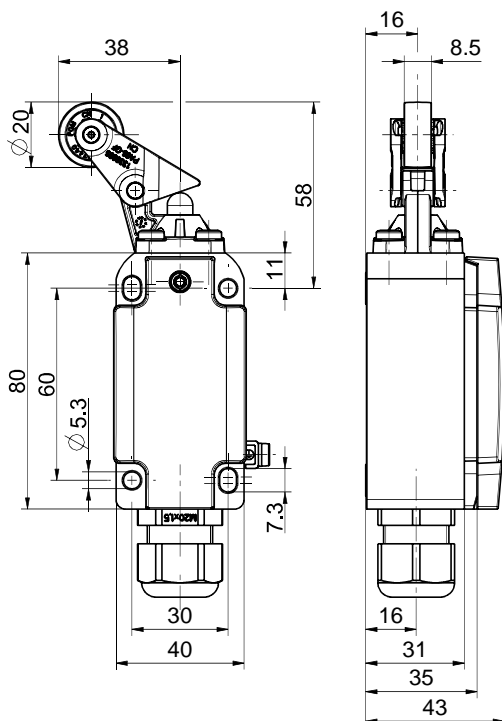


Ex position switch with safety function Ex ES 98 PH-11-3G/D Material number: 1454689

Features/Options:

- Ex zone 2 and 22
- Metal enclosure
- Design to EN 50041
- Wiring compartment
- Actuator: Parallel roller lever PH
- Actuating speed max. 0.5 m/s with a vertical actuating angle of 30°
- Actuation parallel to switch from below
- Wear-resistant plastic roller
- Actuator can be repositioned by 4 x 90°

Dimensions



Technical data

Applied standards	EN 60947-5-1, EN 60079-0, EN 60079-1, EN 60079-7, EN 60079-31, EN ISO 13849-1, EN ISO 14119
Enclosure	aluminium die-cast, corrosion-resistant, powder-coated, anthracite grey, similar to RAL 7016
Cover	aluminium die-cast, powder-coated, signal yellow, similar to RAL 1003
Sealing	silicone
Switch type	type 1
Coding level	no coding
Degree of protection	IP 67 to IEC/EN 60529
B _{10d} (10 % load)	2 million
T _M	max. 20 years
Contact material	silver
Switching system	slow action, positive break NC contacts \ominus
Switching elements	1 NC/1 NO contact, type Zb
Connection	screw connection terminals
Cable cross-section	min. 0.5 mm ² / AWG 24, max. 1.5 mm ² / AWG 16, incl. conductor ferrules
Cable entry	1 x M20 x 1.5 (incl. 1 cable gland)
Clamping range	7 ... 13 mm
Rated impulse withstand voltage U _{imp}	4 kV
Rated insulation voltage U _i	250 V
Conventional thermal current I _{the}	6 A

Errors and omissions excepted.



Ex position switch with safety function

Ex ES 98 PH-11-3G/D

Material number: 1454689

Technical data

Rated operating current/
voltage I_e/U_e 2 contacts:
6 A/250 VAC; 0.25 A/230 VDC
3 contacts:
1.5 A/250 VAC; 0.2 A/250 VDC

Utilisation category AC-15; DC-13

Short-circuit protection 6 A gG/gN fuse

Ambient temperature T6: -20 °C ... +40 °C;
T5: -20 °C ... +60 °C

Mechanical life > 1 million operations

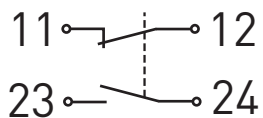
Operation cycles max. 1800/h

Repeat accuracy of switching
points ± 0.1 mm

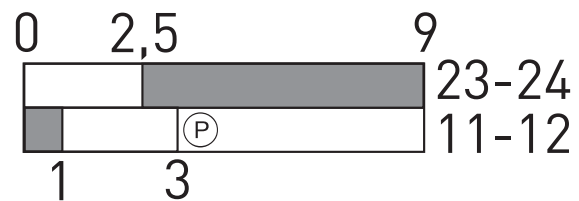
Impact energy max. 7 J

Ex marking II 3G Ex dc ec IIC T6/T5 Gc,
 II 3D Ex tc IIIC T80 °C/T95 °C
Dc

Contact diagram



Switching diagram



Positive break travel/angle