



Ex position switch

Ex 61 DL 1Ö/1S - 3m

Material number: 1053442 (Material number old: 61023301)

Features/Options:

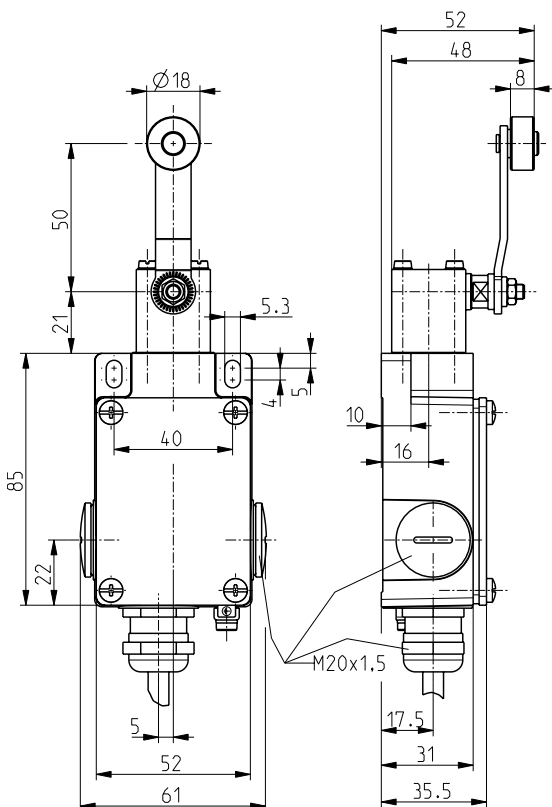
- Ex zone 1 and 21
- Metal enclosure
- With pre-wired cable
- Actuator: Long rocking lever DL
- Actuating speed max. 0.5 m/s with a vertical actuating angle of 45°

- Wear-resistant plastic roller
- Lever can be repositioned in 10° steps clockwise or counter-clockwise
- Actuator can be repositioned by 180°
- Attention: Please state required international approvals with your order!

Notes

- With metal roller available on request

Dimensions



Technical data

Applied standards	EN 60947-5-1, EN 60079-0, EN 60079-1, EN 60079-31
Enclosure	aluminium die-cast, powder-coated
Cover	steel, powder-coated
Degree of protection	IP 65 to IEC/EN 60529
Switch insert	1 x Ex 14
Contact material	silver
Switching system	slow action
Switching elements	1 NC/1 NO contact, type Zb
Connection	pre-wired cable H05VV-F
Cable cross-section	4 x 0.75 mm ² (incl. conductor ferrules)
Cable length	3 m
Rated impulse withstand voltage U_{imp}	4 kV
Rated insulation voltage U_i	250 V
Conventional thermal current I_{the}	T6: 6 A, T5: 3 A
Rated operating current/voltage I_e/U_e	6 A/250 VAC, 0.25 A/230 VDC, 3 A/24 VDC, T > 65 °C: 3 A/250 VAC; 4 A/24 VDC
Utilisation category	AC-15; DC-13
Short-circuit protection	6 A gG/gN fuse
Ambient temperature	T6: -20 °C ... +65 °C, T5: -20 °C ... +75 °C, +90 °C with max. 3 A

Errors and omissions excepted.




Ex position switch

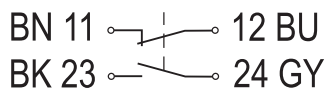
Ex 61 DL 1Ö/1S - 3m

Material number: 1053442 (Material number old: 61023301)

Technical data

Mechanical life	> 1 million operations
Operation cycles	max. 1800/h
Repeat accuracy of switching points	± 0.1 mm
Contact opening	max. 2 x 4.5 mm
Impact energy	max. 7 J
Ex marking	<p>⊕ II 2G Ex db IIC T6/T5 Gb, ⊕ II 2D Ex tb IIIC T80 °C/T95 °C Db IECEX Ex db IIC T6/T5 Gb, Ex tb IIIC T80 °C/T95 °C Db</p>
Approvals	<p>PTB 03 ATEX 1070 X * IECEX PTB 06.0098X *</p> <p>ERC  US* referring to the switch insert</p>
Weight	630 g

Contact diagram



Switching diagram

