



Ex position switch

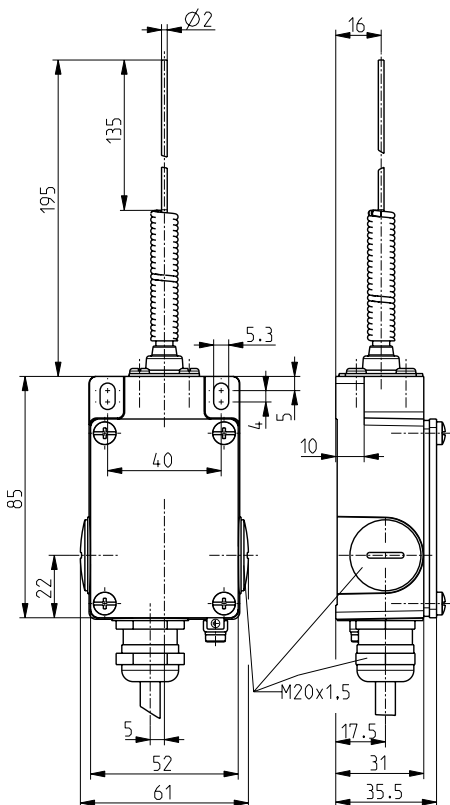
Ex 61 TL 1Ö/1S - 3m

Material number: 1189069 (Material number old: 61032301)

Features/Options:

- Ex zone 1 and 21
- Metal enclosure
- With pre-wired cable
- Actuator: Long spring rod TL
- Spring rod can be actuated from any direction
- Spring rod can be shortened 30 mm in actuating area
- Exact linear actuation not necessary
- Elasticity of the spring allows for deflection above the max. switching angle
- Attention: Please state required international approvals with your order!

Dimensions



Technical data

Applied standards	EN 60947-5-1, EN 60079-0, EN 60079-1, EN 60079-31
Enclosure	aluminium die-cast, powder-coated
Cover	steel, powder-coated
Degree of protection	IP 65 to IEC/EN 60529
Switch insert	1 x Ex 14
Contact material	silver
Switching system	slow action
Switching elements	1 NC/1 NO contact, type Zb
Connection	pre-wired cable H05VV-F
Cable cross-section	4 x 0.75 mm ² (incl. conductor ferrules)
Cable length	3 m
Rated impulse withstand voltage U_{imp}	4 kV
Rated insulation voltage U_i	250 V
Conventional thermal current I_{the}	T6: 6 A, T5: 3 A
Rated operating current/voltage I_e/U_e	6 A/250 VAC, 0.25 A/230 VDC, 3 A/24 VDC, T > 65 °C: 3 A/250 VAC; 4 A/24 VDC
Utilisation category	AC-15; DC-13
Short-circuit protection	6 A gG/gN fuse
Ambient temperature	T6: -20 °C ... +65 °C, T5: -20 °C ... +75 °C, +90 °C with max. 3 A
Mechanical life	> 1 million operations
Operation cycles	max. 1800/h

Errors and omissions excepted.



Ex position switch

Ex 61 TL 1Ö/1S - 3m

Material number: 1189069 (Material number old: 61032301)

Technical data

Repeat accuracy of switching points ± 0.1 mm

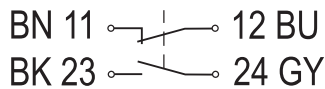
Contact opening max. 2 x 4.5 mm

Impact energy max. 7 J

Ex marking
 II 2G Ex db IIC T6/T5 Gb,
 II 2D Ex tb IIIC
T80 °C/T95 °C Db
IECEX Ex db IIC T6/T5 Gb,
Ex tb IIIC T80 °C/T95 °C Db

Approvals
PTB 03 ATEX 1070 X *
IECEX PTB 06.0098X *
 EAC_C SP_{US}* referring to the switch insert

Contact diagram



Switching diagram

