



Wireless receiver RF Rx SW915-4S 24VDC Material number: 1370677

Features/Options:

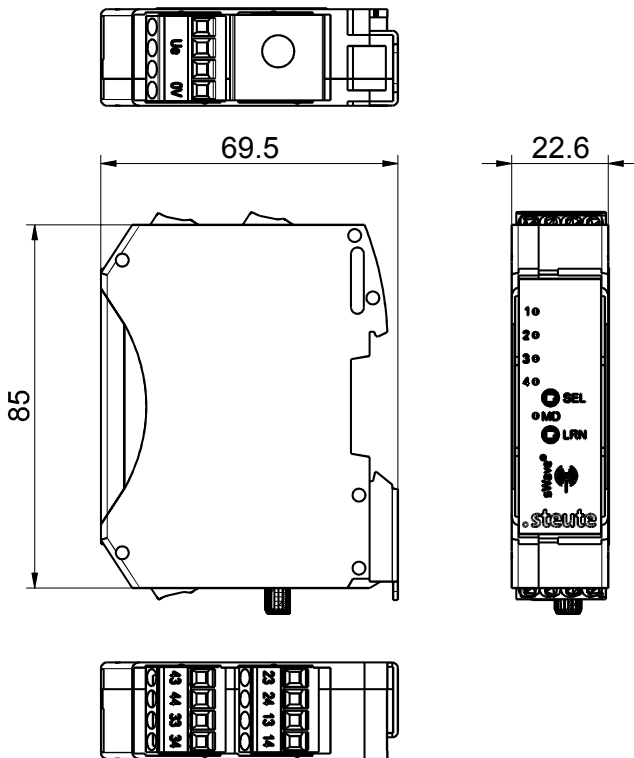
- sWave® wireless technology
- 4 potential-free relay outputs
- 4 NO contacts, max. 3 A

Notes

- External antenna always required for optimum wireless range

- Transmitter/receiver assignment by teaching mode
- LEDs for indication of switching state
- SMA reverse plug-in connector for external antenna

Dimensions



Technical data



Applied standards	EN 60947-5-1, EN 61000-6-2, EN 61000-6-3, EN 61000-4-2, EN 61000-4-4, EN 61000-4-5, EN 61000-4-6, EN 60068-2-6, EN 60068-2-27, EN 301 489-1, EN 301 489-3, EN 300 220-1, EN 300 220-2
Enclosure	thermoplastic, glass-fibre reinforced, impact resistant, self-extinguishing UL 94 V-0
Degree of protection	IP 20 to IEC/EN 60529
Frequency	915 MHz (USA, Canada, Mexico, Australia)
Number of channels	4
Mounting	DIN rail mounting
Connection	screw connection terminals 0.14 mm ² - 2,5 mm ² , stripping length 8 mm
Inputs	4 wireless channels, max. 40 transmitters
Outputs	4 NO contacts (relay)
Rated operating current/voltage I_e/U_e	max. 0.1 A/24 VDC -15 % ... +10 %; output contacts: 3 A/250 VAC; 3 A/24 VDC
Utilisation category	AC-15; DC-13
Rated insulation voltage U_i	250 VAC
Rated impulse withstand voltage U_{imp}	2.5 kV
Display	green LED: ready for operation, orange LED: signalling of switching state
Operation cycles	max. 12000 telegrams with repetitions/h
Degree of pollution	2

Errors and omissions excepted.



Wireless receiver
RF Rx SW915-4S 24VDC
Material number: 1370677

Technical data

Ambient temperature	0 °C ... +55 °C (on request -20 °C ... +55 °C)
Storage and shipping temperature	-25 °C ... +85 °C
Note	Inductive loads (contactors, relays etc.) are to be suppressed by suitable circuitry. Switching contacts are not suitable for capacitive loads.
Wireless approvals	USA: FCC - XK5-RFRXSW915 Canada: IC - 5158A-RFRXSW915 Mexico: IFT - RCPSTRF17-1886
Approvals	 c  US
Weight	100 g

Arrangement of receiver and switch antenna



A = Optimum mounting
B = Possible mounting
C = Unsuitable mounting