



Ex command device

Ex 14 RSTA 0 ← I 1Ö/1S - 1m

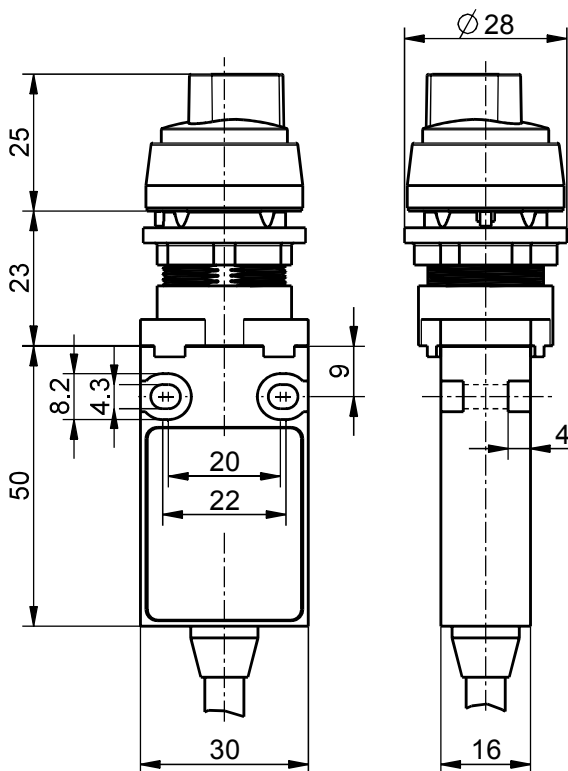
Material number: 1045503 (Material number old: 14057304)

Features/Options:

- Ex zone 1 and 21
- Double insulated
- Mounting hole diameter 22.5 mm
- With pre-wired cable

- Actuator: Control switch RST with spring return
- Attention: Please state required international approvals with your order!

Dimensions



Technical data

| | |
|---|---|
| Applied standards | EN 60947-5-1, EN ISO 13849-1, EN 60079-0, EN 60079-1, EN 60079-31 |
| Enclosure | thermoplastic, glass-fibre reinforced, impact resistant, self-extinguishing UL 94 V-0 |
| Degree of protection | IP 65 to IEC/EN 60529 |
| Contact material | silver |
| Switching system | slow action, positive break NC contacts ⊖ |
| Switching elements | 1 NC/1 NO contact, type Zb |
| Connection | pre-wired cable H05VV-F |
| Cable cross-section | 4 x 0.75 mm ² |
| Cable length | 1 m |
| Rated impulse withstand voltage U_{imp} | 4 kV |
| Rated insulation voltage U_i | 250 V |
| Conventional thermal current I_{the} | T6: 6 A, T5: 3 A |
| Rated operating current/voltage I_e/U_e | 6 A/250 VAC; 0.25 A/230 VDC |
| Utilisation category | AC-15; DC-13 |
| Short-circuit protection | 6 A gG/gN fuse |
| Ambient temperature | T6: -20 °C ... +65 °C, T5: -20 °C ... +75 °C, +90 °C with max. 3 A |
| Mechanical life | > 1 million operations |
| Operation cycles | max. 1800/h |
| Ex marking | ⊕ II 2G Ex db IIC T6/T5 Gb, ⊕ II 2D Ex tb IIIC T80 °C/T95 °C Db IECEX Ex db IIC T6/T5 Gb, Ex tb IIIC T80 °C/T95 °C Db |

Errors and omissions excepted.



Ex command device

Ex 14 RSTA 0 ← I 1Ö/1S - 1m

Material number: 1045503 (Material number old: 14057304)

Technical data

Approvals

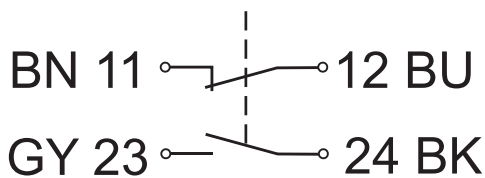
PTB 03 ATEX 1070 X
IECEX PTB 06.0098X



Weight

130 g

Contact diagram



Switching diagram

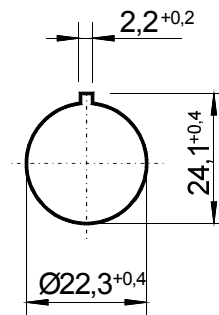


Switching position RSTA



Switching angle 90°
with return to left position
0 ← I

Cut out dimensions



Errors and omissions excepted.