

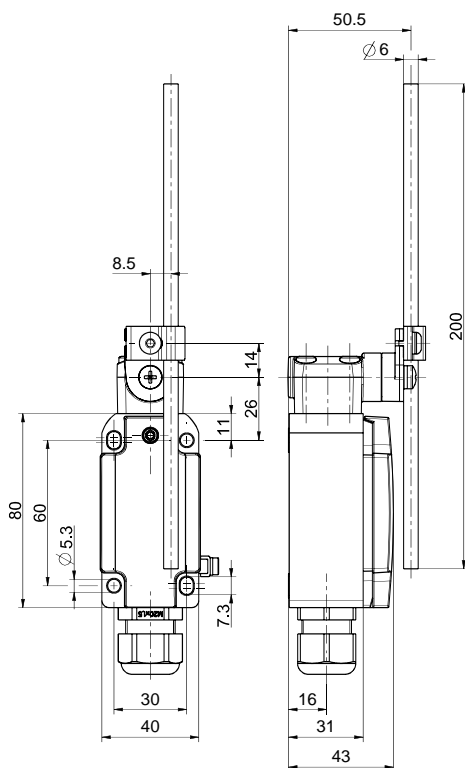


Ex position switch Ex ES 98 DD-11-3G/D Material number: 1454695

Features/Options:

- Ex zone 2 and 22
- Metal enclosure
- Design to EN 50041
- Wiring compartment
- Actuator: Rod lever DD
- Actuator type D to EN 50041
- Actuating speed max. 2.5 m/s with a vertical actuating angle of 30°
- Lever angle adjustable in 10° steps
- Actuator can be repositioned by 4 x 90°

Dimensions



Technical data

Applied standards	EN 60947-5-1, EN 60079-0, EN 60079-1, EN 60079-7, EN 60079-31
Enclosure	aluminium die-cast, corrosion-resistant, powder-coated, anthracite grey, similar to RAL 7016
Cover	aluminium die-cast, powder-coated, signal yellow, similar to RAL 1003
Sealing	silicone
Degree of protection	IP 67 to IEC/EN 60529
Contact material	silver
Switching system	slow action
Switching elements	1 NC/1 NO contact, type Zb
Connection	screw connection terminals
Cable cross-section	min. 0.5 mm ² / AWG 24, max. 1.5 mm ² / AWG 16, incl. conductor ferrules
Cable entry	1 x M20 x 1.5 (incl. 1 cable gland)
Clamping range	7 ... 13 mm
Rated impulse withstand voltage U _{imp}	4 kV
Rated insulation voltage U _i	250 V
Conventional thermal current I _{the}	6 A
Rated operating current/voltage I _e /U _e	2 contacts: 6 A/250 VAC; 0.25 A/230 VDC 3 contacts: 1.5 A/250 VAC; 0.2 A/250 VDC
Utilisation category	AC-15; DC-13
Short-circuit protection	6 A gG/gN fuse

Errors and omissions excepted.

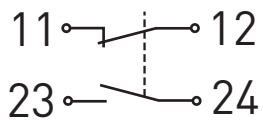


Ex position switch
Ex ES 98 DD-11-3G/D
Material number: 1454695

Technical data

Ambient temperature	T6: -20 °C ... +40 °C; T5: -20 °C ... +60 °C
Mechanical life	> 1 million operations
Operation cycles	max. 1800/h
Repeat accuracy of switching points	± 0.1 mm
Impact energy	max. 7 J
Ex marking	⊕ II 3G Ex dc ec IIC T6/T5 Gc, ⊕ II 3D Ex tc IIIC T80 °C/T95 °C Dc
Weight	305 g

Contact diagram



Switching diagram

