

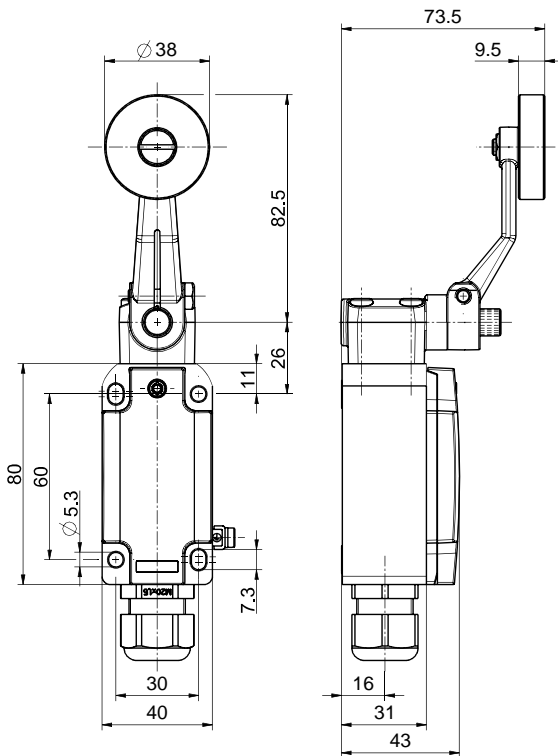


## Ex position switch with safety function Ex ES 98 DL-11U -40°C Material number: 1400743

### Features/Options:

- Ex zone 1 and 21
- Cold-resistant down to -40 °C
- Metal enclosure
- Design to EN 50041
- Wiring compartment
- Actuator: Long rocking lever DL
- Actuating speed max. 2.5 m/s with a vertical actuating angle of 30°
- Wear-resistant plastic roller
- Lever angle adjustable in 10° steps
- Actuator can be repositioned by 4 x 90°
- Attention: Please state required international approvals with your order!

### Dimensions



### Technical data

Applied standards	EN 60947-5-1, EN 60079-0, EN 60079-1, EN 60079-7, EN 60079-31, EN ISO 13849-1, EN ISO 14119
Enclosure	aluminium die-cast, corrosion-resistant, powder-coated, anthracite grey, similar to RAL 7016
Cover	stainless steel 1.4401, powder-coated, signal yellow, similar to RAL 1003
Sealing	silicone
Switch type	type 1
Coding level	no coding
Degree of protection	IP 66 to IEC/EN 60529
B <sub>10d</sub> (10 % load)	2 million
T <sub>M</sub>	max. 20 years
Contact material	silver
Switching system	slow action, positive break NC contacts $\ominus$
Switching elements	1 NC/1 NO contact with contact overlapping, type Zb
Connection	screw connection terminals
Cable cross-section	min. 0,75 mm <sup>2</sup> / AWG 18, max. 1,5 mm <sup>2</sup> / AWG 16, incl. conductor ferrules
Cable entry	1 x M20 x 1.5 (incl. 1 cable gland)
Clamping range	7 ... 13 mm
Rated impulse withstand voltage U <sub>imp</sub>	4 kV

Errors and omissions excepted.

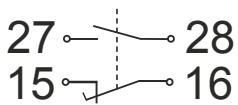


## Ex position switch with safety function Ex ES 98 DL-11U -40°C Material number: 1400743

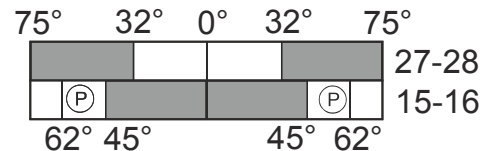
### Technical data

Rated insulation voltage $U_i$	250 V
Rated operating current $I_e$	max. 4.4 A T6 / max. 6.6 A T5
Rated operating voltage $U_e$	max. 250 VAC; 125 VDC
Utilisation category	AC-15; DC-13
Short-circuit protection	4 A / 6 A gG/gN fuse
Ambient temperature	T6: -40° C ... +70° C (max. 4.4 A) T5: -40° C ... +70° C (max. 6.6 A)
Mechanical life	> 1 million operations
Operation cycles	max. 1800/h
Repeat accuracy of switching points	± 0.1 mm
Impact energy	max. 7 J
Ex marking	⊕ II 2G Ex db eb IIC T6/T5 Gb, ⊕ II 2D Ex tb IIIC T80°C/T95°C Db IECEX Ex db eb IIC T6/T5 Gb, Ex tb IIIC T80°C/T95°C Db
Approvals	DMT 01 ATEX E 178 IECEX BVS 07.0014 
Weight	420 g

### Contact diagram



### Switching diagram



Ⓟ Positive break travel/angle