



Ex safety switch with separate actuator Ex AZ 16 2Ö/1S-30N Material number: 1210566

Features/Options:

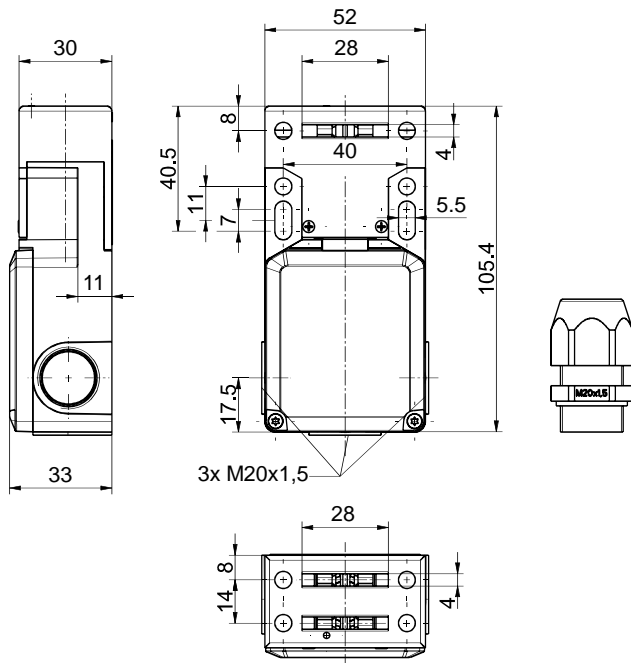
- Ex zone 1 and 21
- Thermoplastic enclosure
- Multiple coding
- Wiring compartment

Notes

- 1 Ex"e" cable gland M20x1.5 included in delivery
- The actuator is not included in the delivery of the switches

- 30 N latching force
- Attention: Please state required international approvals with your order!

Dimensions



Technical data

Applied standards	EN 60947-5-1, EN 60079-0, EN 60079-1, EN 60079-7, EN 60079-31, EN ISO 13849-1, EN ISO 14119
Enclosure	thermoplastic, glass-fibre reinforced, impact resistant, self-extinguishing UL 94 V-0
Switch type	type 2
Coding level	low coding
Tightening torque	cover screws: 0.5 ... 0.6 Nm switch inserts M3 screw connection terminals: min. 0.6 Nm
Degree of protection	IP 65 to IEC/EN 60529
B_{10d} (10 % load)	2 million
T_M	max. 20 years
Contact material	silver
Switching system	slow action, positive break NC contacts \ominus
Switching elements	2 NC/1 NO contact, type Zb
Connection	screw connection terminals
Cable entry	3 x M20 x 1.5 (incl. 1 cable gland)
Clamping range	7 ... 12 mm
Rated impulse withstand voltage U_{imp}	4 kV
Rated insulation voltage U_i	250 V
Conventional thermal current I_{the}	3 A
Rated operating current/voltage I_e/U_e	3 A/250 VAC; 0.25 A/230 VDC

Errors and omissions excepted.

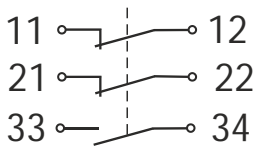


Ex safety switch with separate actuator
 Ex AZ 16 2Ö/1S-30N
 Material number: 1210566

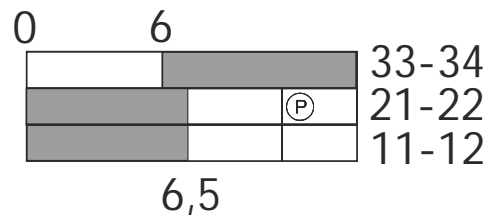
Technical data

Utilisation category	AC-15; DC-13
Short-circuit protection	3 A gG/gN fuse
Positive break travel	9.5 mm
Ambient temperature	T6: -20 °C ... +55 °C; T5: -20 °C ... +70 °C
Mechanical life	> 1 million operations
Impact energy	max. 7 J
Ex marking	II 2G Ex de IIC T6/T5 Gb, II 2D Ex tb IIIC T80 °C/T95 °C Db IECEx Ex de IIC T6/T5 Gb, Ex tb IIIC T80 °C/T95 °C Db
Approvals	PTB 13 ATEX 1008 X IECEx PTB 13.0014X
Weight	154 g

Contact diagram



Switching diagram



Positive break travel/angle

Note
 Inserted position of actuator = 0 in switching diagram.
 The actuator is not included with the switches.