



Wireless universal transmitter RF I/O SW915-4E-2,2Ah Material number: 1362074

Features/Options:

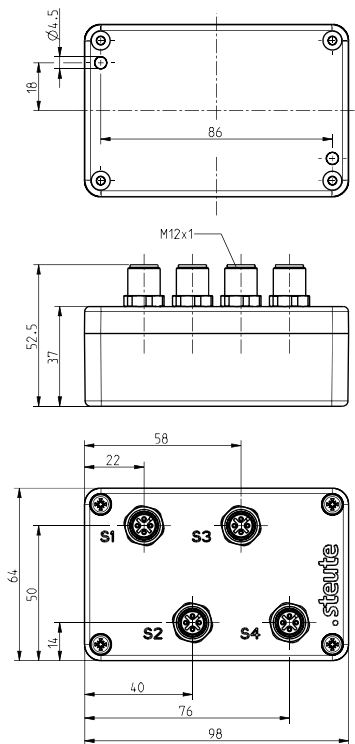
- Thermoplastic enclosure
- sWave® wireless technology
- No wiring and pipe laying required

- Power supply by Lithium battery
- Easy programming of receiver
- Output signal can be individually configured at the receiver

Notes

- The RF I/O may be used in combination with [wireless inductive sensor RF IS](#) or wireless magnetic sensor RF RC 20
- Connection of external switching contact (potentialfree contact) with gold contacts possible.
- Delivery does not include protective caps.

Dimensions



Technical data

Applied standards	EN 60947-5-1, EN 61000-6-2, EN 61000-6-3, EN 301 489-1, EN 301 489-3, EN 300 220-1, EN 300 220-2
Enclosure	ABS
Degree of protection	IP 67 to IEC/EN 60529
Protocol	sWave®
Frequency	915 MHz (USA, Canada, Mexico, Australia)
Transmission power	< 25 mW
Data rate	66 kbps
Channel bandwidth	550 kHz
Voltage supply	lithium battery Tadiran TL-5903 (replaceable), alternatively SL-760
System	Li/SOCl ₂
Nominal voltage	3.6 V
Nominal capacity	2.2 Ah
Battery life	depending on the switching frequency and number and type of sensors for 1000 transfers/day and one inductive sensor approx. 300 days; for 1000 transfers/day and one mechanical switch approx. 1400 days
Connection	4 x plug-in connector M12 x 1, 4-pole
Ambient temperature	-20 °C ... +65 °C
Operation cycles	max. 12000 telegrams with repetitions/h

Errors and omissions excepted.

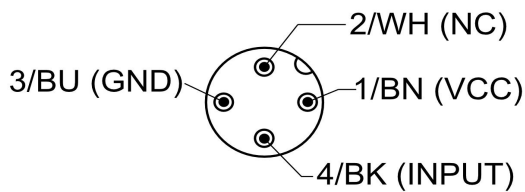


Wireless universal transmitter RF I/O SW915-4E-2,2Ah Material number: 1362074

Technical data

Switching frequency	max. 5 Hz
Standby current	60 µA
Wireless range	max. 450 m outdoors, max. 40 m indoors
Actuating time	min. 80 ms
Wireless approvals	USA: FCC - XK5-RFRXSW915 Canada: IC - 5158A-RFRXSW915 Mexico: IFT - RCPSTRF17-1886
Note	status signal adjustable via jumper, no, 10 s, 100 s, 1000 s, 10000 s delivery state: jumper position without status signal, transmission of battery voltage and switching condition
Weight	171 g

Plug-in configuration



Colour coding only valid for
coupling 4-poles mat. no. 1215497 and
coupling 4-poles mat. no. 1262873

External switch contact

