



Ex position switch

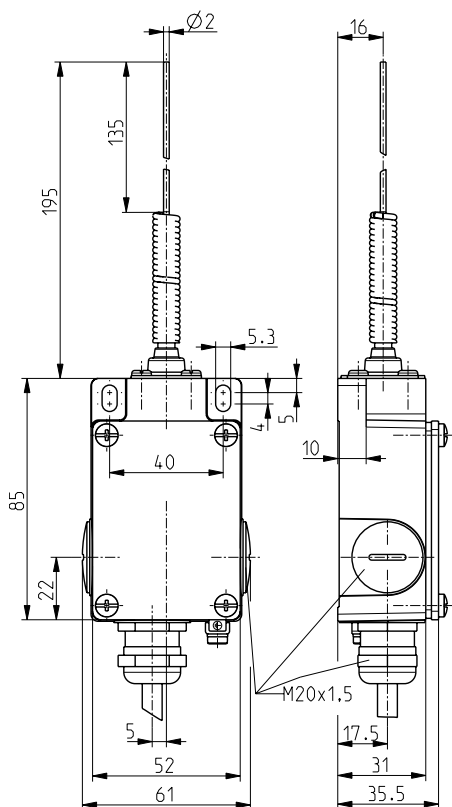
ExM 61 TL - 3m

Material number: 1167449 (Material number old: 61732301)

Features/Options:

- Ex zone 1 and 21
- Metal enclosure
- With pre-wired cable
- Actuator: Long spring rod TL
- Spring rod can be actuated from any direction
- Spring rod can be shortened 30 mm in actuating area
- Exact linear actuation not necessary
- Elasticity of the spring allows for deflection above the max. switching angle
- Attention: Please state required international approvals with your order!

Dimensions



Technical data

Applied standards	EN 60947-5-1, EN 60079-0, EN 60079-1, EN 60079-31
Enclosure	aluminium die-cast, powder-coated
Cover	steel, powder-coated
Degree of protection	IP 65 to IEC/EN 60529
Switch insert	1 x ExM 14
Contact material	silver
Switching system	snap action
Switching elements	1 change-over contact with single break, type C
Connection	pre-wired cable H05VV-F
Cable cross-section	3 x 0.75 mm ² (incl. conductor ferrules)
Cable length	3 m
Rated impulse withstand voltage U_{imp}	4 kV
Rated insulation voltage U_i	250 V
Conventional thermal current I_{the}	5 A
Rated operating current/voltage I_e/U_e	5 A/250 VAC; 0.16 A/230 VDC
Utilisation category	AC-15; DC-13
Short-circuit protection	5 A gG/gN fuse
Ambient temperature	-20 °C ... +60 °C
Mechanical life	> 1 million operations
Operation cycles	max. 1800/h
Repeat accuracy of switching points	± 0.1 mm

Errors and omissions excepted.



Ex position switch

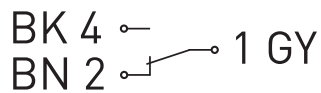
ExM 61 TL - 3m

Material number: 1167449 (Material number old: 61732301)

Technical data

Contact opening	max. 2 x 4.5 mm
Impact energy	max. 7 J
Ex marking	⊕ II 2G Ex d IIC T6 Gb, ⊕ II 2D Ex tb IIIC T80 °C Db IP65
Approvals	PTB 03 ATEX 1069 X * ERC * referring to the switch insert
Weight	520 g

Contact diagram



Switching diagram

