



## Ex command device

### Ex 14 QRSKUV 1Ö/1S-1m

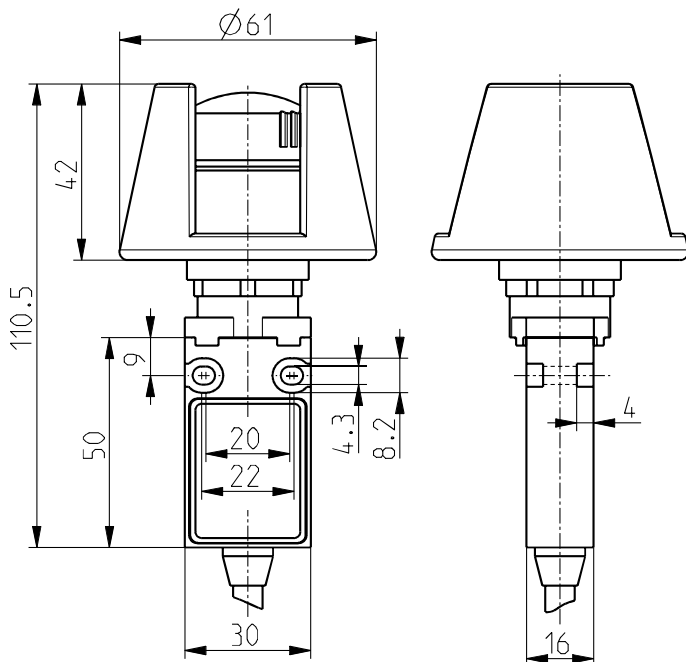
Material number: 1183903 (Material number old: 14068301)

#### Features/Options:

- Ex zone 1 and 21
- Double insulated
- Mounting hole diameter 22.5 mm
- With pre-wired cable
- Actuator: Emergency-stop push button with collar QRSKUV

- Actuator made of plastic
- Reset by turning right or left
- Attention: Please state required international approvals with your order!

#### Dimensions



#### Technical data

|   |   |
|---|---|
| Applied standards                         | EN 60947-5-1, EN 60947-5-5, EN ISO 13849-1, EN ISO 13850, EN 60079-0, EN 60079-1, EN 60079-31 |
| Enclosure                                 | thermoplastic, glass-fibre reinforced, impact resistant, self-extinguishing UL 94 V-0         |
| Degree of protection                      | IP 65 to IEC/EN 60529   |
| $B_{10d}$ (10 % load)                     | 60 000  |
| $T_M$                                     | max. 20 years   |
| Contact material                          | silver  |
| Switching system                          | slow action, positive break NC contacts $\ominus$   |
| Switching elements                        | 1 NC/1 NO contact, type Zb  |
| Connection                                | pre-wired cable H05VV-F   |
| Cable cross-section                       | 4 x 0.75 mm <sup>2</sup>  |
| Cable length                              | 1 m   |
| Rated impulse withstand voltage $U_{imp}$ | 4 kV  |
| Rated insulation voltage $U_i$            | 250 V   |
| Conventional thermal current $I_{the}$    | T6: 6 A, T5: 3 A  |
| Rated operating current/voltage $I_e/U_e$ | 6 A/250 VAC; 0.25 A/230 VDC   |
| Utilisation category                      | AC-15; DC-13  |
| Short-circuit protection                  | 6 A gG/gN fuse  |
| Ambient temperature                       | T6: -20 °C ... +65 °C, T5: -20 °C ... +75 °C, +90 °C with max. 3 A                            |
| Mechanical life                           | > 30 000 operations   |
| Operation cycles                          | max. 1800/h   |

Errors and omissions excepted.



Ex command device

Ex 14 QRSKUV 1Ö/1S-1m

Material number: 1183903 (Material number old: 14068301)

## Technical data

### Ex marking

⊕ II 2G Ex db IIC T6/T5 Gb,  
⊕ II 2D Ex tb IIIC  
T80 °C/T95 °C Db  
IECEX Ex db IIC T6/T5 Gb,  
Ex tb IIIC T80 °C/T95 °C Db

### Approvals

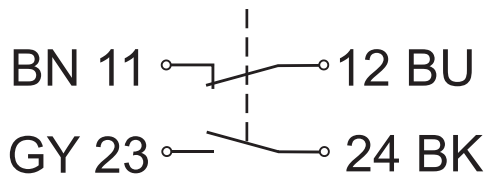
PTB 03 ATEX 1070 X  
IECEX PTB 06.0098X



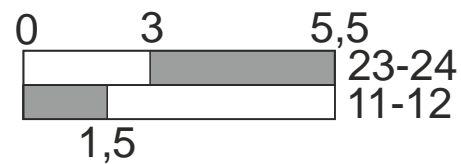
### Weight

165 g

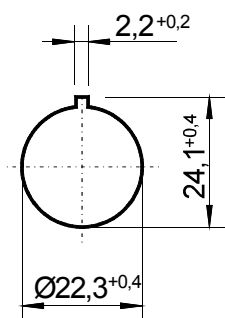
## Contact diagram



## Switching diagram



## Cut out dimensions



Errors and omissions excepted.