

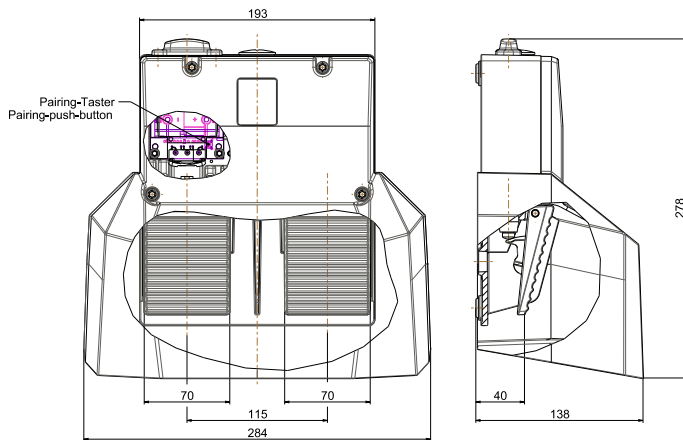


Wireless foot switch RF GFS 2 SW2.4-IND Material number: 1348215

Features/Options:

- Metal enclosure
- sWave® wireless technology
- Point-to-Point connection
- Pairing via internal push button
- Frequency hopping: 32 frequencies (200 hops/s)
- Easy programming of receiver
- Transmission of battery power

Dimensions



Technical data



Applied standards	EN 60947-5-1, EN 300 440-1 V1.3.1, EN 300 440-2 V1.1.2, EN 301 489-1 V1.6.1, EN 301 489-3 V1.4.1, EN 60950, EN 50371
Enclosure	aluminium die-cast, powder-coated
Pedal	thermoplastic, glass-fibre reinforced, impact resistant, self-extinguishing UL 94 V-0
Protective shield	aluminium die-cast, powder-coated
Degree of protection	IP 67 to IEC/EN 60529
Protocol	sWave®
Frequency	2.4 - 2.4835 GHz
Transmission power	1 mW
Data rate	250 kbps
Channel spacing	500 kHz
Output power	- 6 dBm e.i.r.p (0 dBm at 50 Ohm)
Input sensitivity	up to -98 dBm (-104 dBm at 50 Ohm)
Modulation principle	2-FSK
Voltage supply	lithium battery Tadiran SL-2770 (replaceable)
System	Li/SOCl ₂
Nominal voltage	3.6 V
Nominal capacity	8.5 Ah
Battery life	approx. 10 years unused, approx. 240 days when operation per h is 10 mins (8 h/d)
Transmission incl. frequency change	max. 20 ms
Synchronisation after sleep mode	max. 200 ms

Errors and omissions excepted.



Wireless foot switch
RF GFS 2 SW2.4-IND
Material number: 1348215

Technical data

Current consumption	active: 21 ... 25 mA sleep mode: approx. 56 µA
Wireless range	max. 20 m indoors
Ambient temperature	-20 °C ... +65 °C
Mechanical life	> 1 million operations
Wireless approvals	Europe: RED 2014/53/EU USA: FCC - XK5-SW100AMBINT Canada: IC - 5158A-SW100AMBINT  c  US
Weight	3040 g