

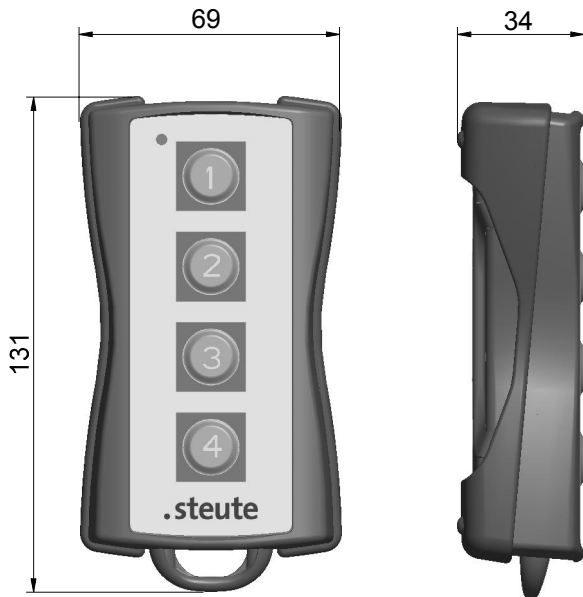


Wireless hand control RF HB SW2.4-IND Material number: 1365610

Features/Options:

- Thermoplastic enclosure
- sWave® 2.4GHz wireless technology
- Keypad with four function keys and LED display
- Surrounding sealing (shock protection)
- With lanyard keychain mounting
- Power supply by battery
- Internal ceramic antenna
- Easy programming of receiver
- Output signal can be individually configured at the receiver

Dimensions



Technical data

Applied standards	EN 60947-5-1, EN 61000-6-2, EN 61000-6-3, EN 300 440, EN 301 489, EN 60950
Enclosure	ABS, graphite grey, similar to RAL 7024
Decor seal	TPE, signal red, similar to RAL 3001
Degree of protection	IP 54 to IEC/EN 60529
Protocol	sWave®
Frequency	2.4 - 2.4835 GHz
Transmission power	1 mW
Data rate	250 kbps
Channel spacing	500 kHz
Output power	- 6 dBm e.i.r.p (0 dBm at 50 Ohm)
Input sensitivity	up to -98 dBm (-104 dBm at 50 Ohm)
Modulation principle	2-FSK
Voltage supply	3 x batteries Micro/AAA/LR03
System	Zn-MnO ₂ (Alkaline)
Nominal voltage	1.5 V
Nominal capacity	1.2 Ah
Battery life	approx. 2 years unused, approx. 130 days when operation per h is 2 mins (8 h/d)
Ambient temperature	0 °C ... +50 °C
Storage and shipping temperature	-10 °C ... +50 °C
Rated operating current I _e	Active: 25 mA, Sleep: 100 µA
Wireless range	max. 10 m indoors

Errors and omissions excepted.



Wireless hand control
RF HB SW2.4-IND
Material number: 1365610

Technical data

Wireless approvals

USA: FCC - XK5-SW100AMBINT
Canada: IC - 5158A-
SW100AMBINT

Weight

155 g