



## Pull-wire switch

### ZS 71 1Ö/1S W / 55 N

Material number: 1048084 (Material number old: 71142001)

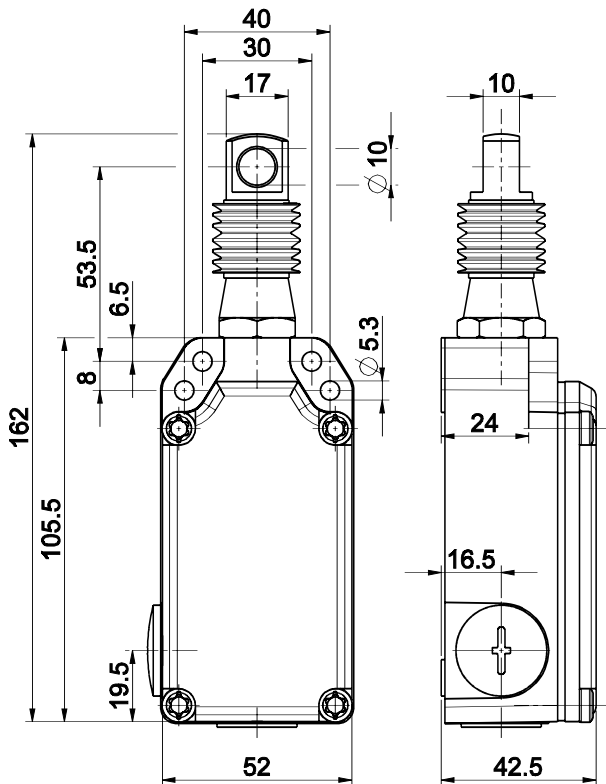
#### Features/Options:

- Metal enclosure
- 2 contacts
- Compact design
- Wire length up to 5 m
- Spring force variant: 55 N
- Wire pull and breakage detection
- Watertight collar W for protection against penetration of dirt
- Without mechanical latching

#### Notes

- At 3 m distance intermediate wire supports are required. One wire thimble is provided.

#### Dimensions



#### Technical data

Applied standards	EN 60947-5-1, EN ISO 13849-1, GS-ET-15
Enclosure	aluminium die-cast, powder-coated
Cover	thermoplastic, glass-fibre reinforced, impact resistant, self-extinguishing UL 94 V-0
Degree of protection	IP 65 to IEC/EN 60529
$B_{10d}$ (10 % load)	2 million
$T_M$	max. 20 years
Contact material	silver
Switching system	snap action, positive break NC contacts $\ominus$
Switching elements	1 NC/1 NO contact
Connection	screw connection terminals
Cable cross-section	max. 2.5 mm <sup>2</sup> (incl. conductor ferrules)
Cable entry	2 x M20 x 1.5
Rated impulse withstand voltage $U_{imp}$	6 kV
Rated insulation voltage $U_i$	400 V
Conventional thermal current $I_{the}$	6 A
Utilisation category	AC-15
Rated operating current/voltage $I_e/U_e$	6 A/400 VAC
Short-circuit protection	6 A gG/gN fuse
Ambient temperature	-25 °C ... +70 °C
Mechanical life	> 1 million operations

Errors and omissions excepted.



## Pull-wire switch

ZS 71 1Ö/1S W / 55 N

Material number: 1048084 (Material number old: 71142001)

### Technical data

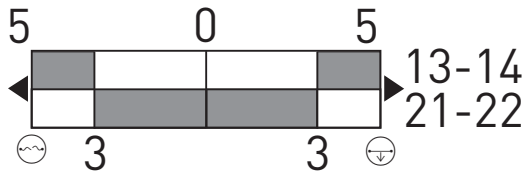
Max. wire length 5 m

Approvals



Weight 340 g

### Switching diagram



- Wire breakage detection
- Wire pull detection

### Contact diagram

