



## Command device

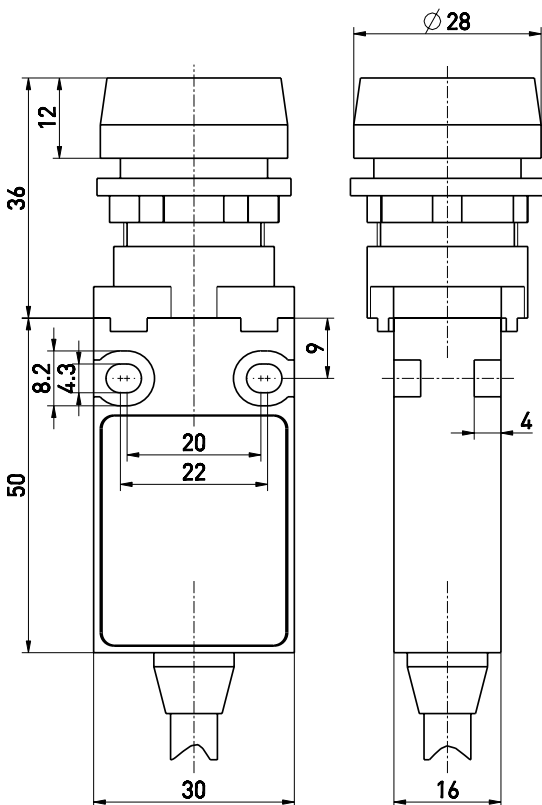
ES 14 RTM 1Ö/1S-1m

Material number: 1052982 (Material number old: 14055002)

### Features/Options:

- Thermoplastic enclosure
- Double insulated
- Mounting hole diameter 22.5 mm
- Mounting details to EN 50047
- With pre-wired cable
- Actuator: Push button with diaphragm RTM
- Diaphragm of transparent silicon material

### Dimensions



### Technical data

Applied standards	EN 60947-5-1, EN ISO 13849-1
Enclosure	thermoplastic, glass-fibre reinforced, impact resistant, self-extinguishing UL 94 V-0
Degree of protection	IP 67 to IEC/EN 60529
Contact material	silver
Switching system	slow action, positive break NC contacts $\ominus$
Switching elements	1 NC/1 NO contact, type Zb
Connection	pre-wired cable H05VV-F
Cable cross-section	4 x 0.75 mm <sup>2</sup>
Cable length	1 m
Rated impulse withstand voltage $U_{imp}$	4 kV
Rated insulation voltage $U_i$	250 V
Conventional thermal current $I_{the}$	6 A
Rated operating current/voltage $I_g/U_g$	6 A/250 VAC; 0.25 A/230 VDC
Utilisation category	AC-15; DC-13
Short-circuit protection	6 A gG/gN fuse
Ambient temperature	-20 °C ... +75 °C
Mechanical life	> 30 000 operations
Operation cycles	max. 1800/h
Contact opening	max. 2 x 4 mm

### Approvals



Weight	125 g
--------	-------

Errors and omissions excepted.

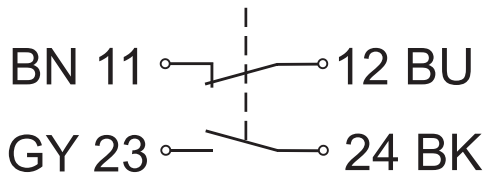


## Command device

ES 14 RTM 1Ö/1S-1m

Material number: 1052982 (Material number old: 14055002)

### Contact diagram



### Switching diagram



### Cut out dimensions

