



**Safety sensor Extreme**  
**HS Si 4 1Ö/1S - 2m -40°C IP69 Extreme**  
 Material number: 1189889 (Material number old: 20469201)

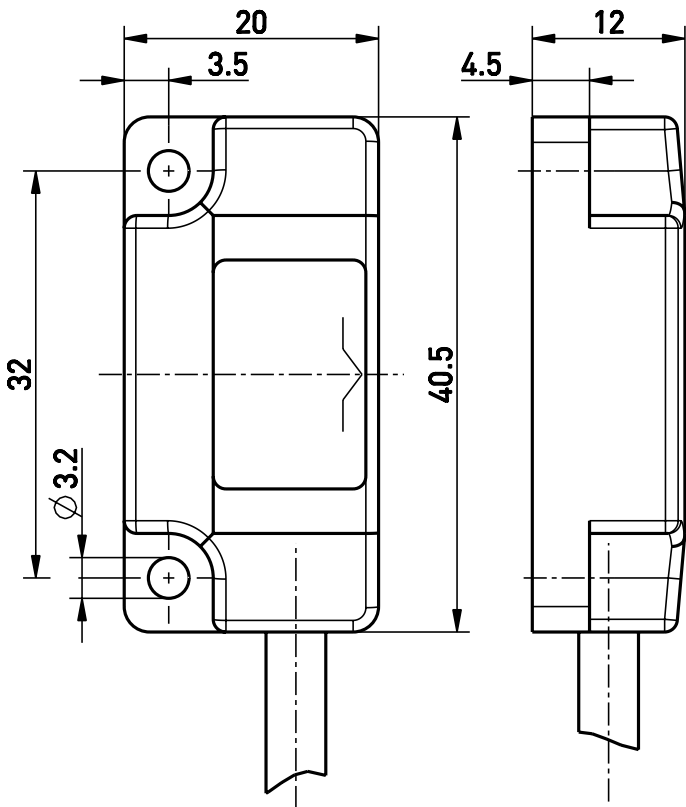
**Features/Options:**

- Cold-resistant down to -40 °C
- High degree of protection IP 69, IP 69K
- Thermoplastic enclosure
- Long life
- Hall sensor 1 NC/1 NO contact
- Galvanically separated channels
- Switching distance up to 7 mm
- With pre-wired cable
- Corrosion-proof design
- High shock- and vibration resistance
- Attention: Please state required international approvals with your order!

**Notes**

- The actuator is not included in the delivery of the switches

**Dimensions**



**Technical data**


Applied standards	EN 60947-5-2, EN 60947-5-3, EN ISO 13849-1, EN ISO 14119, EN 62061
Enclosure	thermoplastic, glass-fibre reinforced, impact resistant, self-extinguishing UL 94 V-0
Sensor type	type 4 interlocking device
Coding level	low coding
Degree of protection	IP 66, IP 67, IP 69 (IEC/EN 60529) / IP 69K (ISO 20653)
Safety-relevant data:	
EN ISO 13849-1	Performance Level PL e
Category	4
T <sub>M</sub>	max. 20 years
MTTF <sub>d</sub>	> 100 years
DC/DC <sub>avg</sub>	> 99 %
EN 62061	SIL CL 3
PFH <sub>d</sub>	≥ 2.47 x 10 <sup>-8</sup> 1/h
Note	The safety-related data are only valid in combination with a safety module, e.g. SRM 21 RT2 (mat. no. 1179203).
Switching system	Hall sensor, 2 galvanically separated channels, semiconductor
Switching elements	1 NC/1 NO contact
Connection	cable 6 x AWG 26

Errors and omissions excepted.



Safety sensor Extreme  
HS Si 4 1Ö/1S - 2m -40°C IP69 Extreme  
Material number: 1189889 (Material number old: 20469201)

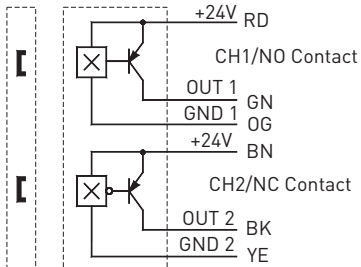
## Technical data

Cable length	2 m
Rated operating voltage $U_e$	24 VDC
Rated operating voltage range $U_B$	10 ... 30 VDC
Rated operating current $I_e$	max. 40 mA per channel
Utilisation category	DC-12
No-load supply current $I_0$	max. 6 mA per channel
Voltage drop at $I_e$	max. 2.5 V
Switch-on/switch-off time	< 1 ms
Attendance delay $t_v$	< 100 ms
Short-circuit protection	< 50 mA internal reversible fuse
Switching frequency	max. 100 Hz
Safety class	II
Degree of pollution	3
Ambient temperature	-40 °C ... +70 °C
Storage and shipping temperature	-40 °C ... +70 °C
Rated switching distance $s_n$	7 mm
Assured switching distance »ON« $s_{ao}$	6 mm
Assured switching distance »OFF« $s_{ar}$	20 mm
Repeatability	≤ 5 %
Approvals	
Weight	60 g



Safety sensor Extreme  
HS Si 4 1Ö/1S - 2m -40°C IP69 Extreme  
Material number: 1189889 (Material number old: 20469201)

### Contact diagram



### Axial misalignment

