



## Position switch with safety function

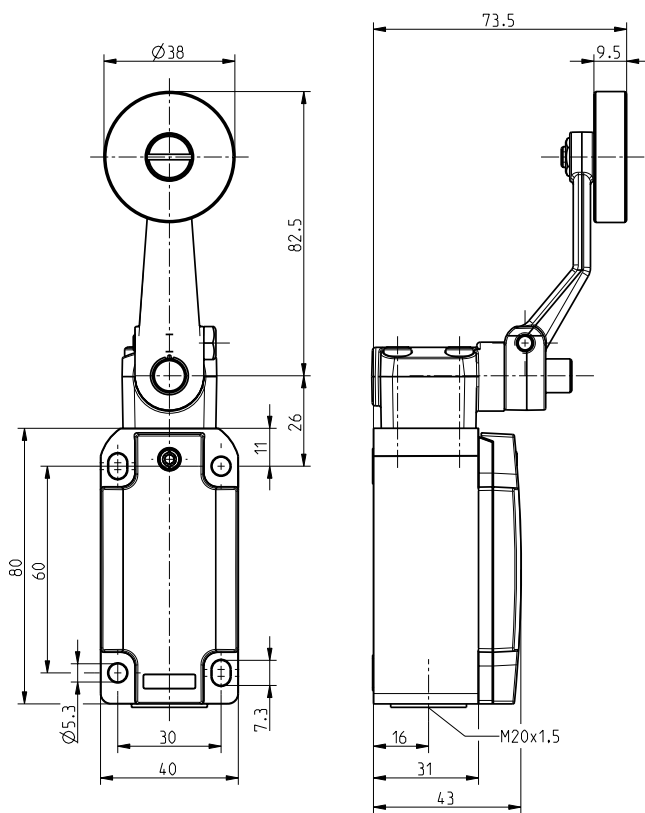
EM 98 DL-21

Material number: 1316726 (Material number old: 9107230001)

### Features/Options:

- Metal enclosure
- Design to EN 50041
- Snap action, 1 NC/2 NO contact with double break
- Wiring compartment
- Actuator: Long rocking lever DL
- Actuating speed max. 2.5 m/s with a vertical actuating angle of 30°
- Wear-resistant plastic roller
- Actuator can be repositioned by 4 x 90°
- Lever angle adjustable in 10° steps

### Dimensions



### Technical data

|   |   |
|---|---|
| Applied standards                         | EN ISO 13849-1, EN 60947-5-1, EN ISO 14119          |
| Enclosure                                 | aluminium die-cast, powder-coated                   |
| Switch type                               | type 1  |
| Coding level                              | no coding   |
| Degree of protection                      | IP 67 to IEC/EN 60529                               |
| $B_{10d}$ (10 % load)                     | 2 million   |
| $T_M$                                     | max. 20 years                                       |
| Contact material                          | silver  |
| Switching system                          | snap action, positive break NC contacts $\ominus$   |
| Switching elements                        | 1 NC/2 NO contact, type Zb                          |
| Connection                                | screw connection terminals                          |
| Cable cross-section                       | max. 1.5 mm <sup>2</sup> (incl. conductor ferrules) |
| Cable entry                               | 1 x M20 x 1.5                                       |
| Rated impulse withstand voltage $U_{imp}$ | 4 kV  |
| Rated insulation voltage $U_i$            | 400 V   |
| Conventional thermal current $I_{the}$    | 1.5 A   |
| Rated operating current/voltage $I_e/U_e$ | 1.5 A/230 VAC; 0.27 A/250 VDC                       |
| Utilisation category                      | AC-15; DC-13  |
| Short-circuit protection                  | 1.5 A gG/gN fuse                                    |
| Mechanical life                           | > 1 million operations                              |
| Operation cycles                          | max. 1800/h   |
| Ambient temperature                       | -20 °C ... +80 °C                                   |

Errors and omissions excepted.



## Position switch with safety function

EM 98 DL-21

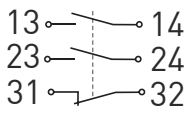
Material number: 1316726 (Material number old: 9107230001)

### Technical data

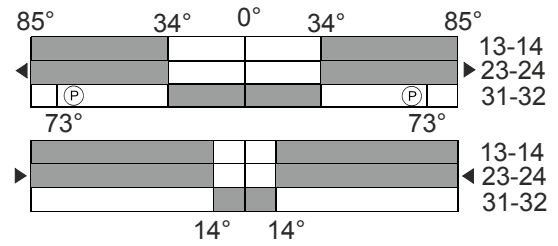
### Approvals



### Contact diagram



### Switching diagram



Ⓟ Positive break travel/angle