

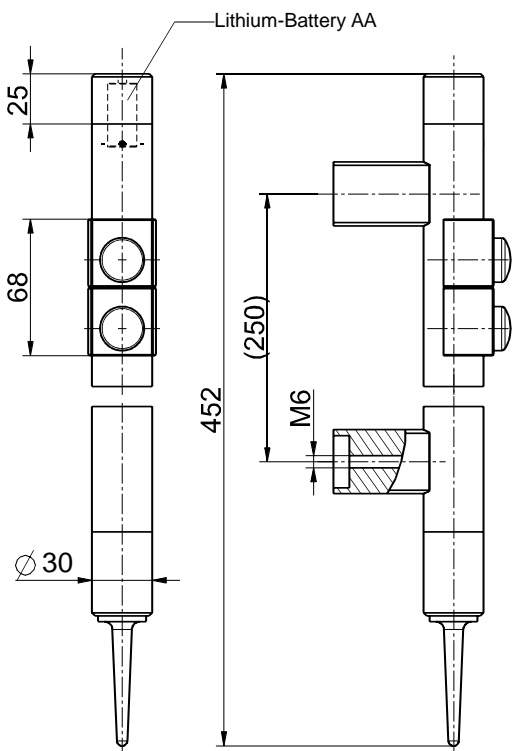


## Wireless multi-function handle RF TGM SW868-SS Material number: 1346345

### Features/Options:

- Metal enclosure
- sWave® wireless technology
- 2 push buttons
- Collars (blue, red, green, black, grey) are included in delivery
- No wiring and pipe laying required
- Power supply by Lithium battery
- Easy programming of receiver
- Output signal can be individually configured at the receiver

### Dimensions



### Technical data

Applied standards	EN 60947-5-1, EN 61000-6-2, EN 61000-6-3, EN 61000-4-2, EN 301 489-1, EN 301 489-3, EN 300 220-1, EN 300 220-2
Enclosure	stainless steel 1.4301
Degree of protection	IP 67 to IEC/EN 60529
Protocol	sWave®
Frequency	868.3 MHz (Europe, China)
Transmission power	< 25 mW
Data rate	66 kbps
Channel bandwidth	480 kHz
Voltage supply	lithium battery Tadiran SL-361/P, 2/3 AA (battery incl. battery enclosure replaceable)
System	Li/SOCl <sub>2</sub>
Nominal voltage	3.6 V
Nominal capacity	1.6 Ah
Battery life	> 800 000 operations
Switching system	push button
Ambient temperature	-20 °C ... +65 °C
Switching frequency	max. 5 Hz
Wireless range	max. 450 m outdoors, max. 40 m indoors
Mechanical life	> 1 million operations
Actuating time	min. 80 ms
Note	transmission of battery voltage and switching condition
Wireless approvals	Europe: RED 2014/53/EU
Weight	520 g

Errors and omissions excepted.