



Ex Wireless position switch Ex RF 96 RL SW868 Material number: 1376743

Features/Options:

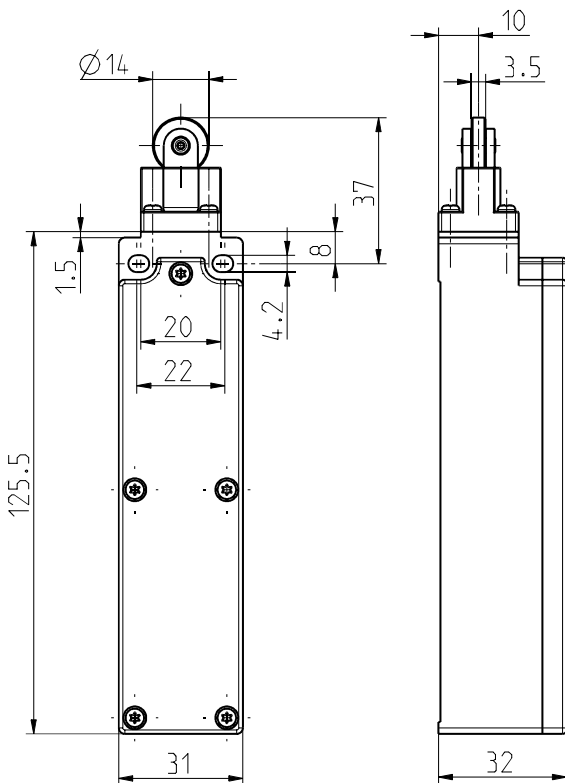
- Ex zone 1 and 21
- sWave® wireless technology
- Power supply by ex-proof lithium battery (exchange inside Ex areas possible)
- Thermoplastic enclosure
- Mounting details to EN 50047
- No wiring and pipe laying required

Notes

- With metal roller available on request

- Easy programming of receiver
- Output signal can be individually configured at the receiver
- Actuator: Long roller plunger RL
- Wear-resistant plastic roller
- Actuator can be repositioned by 4 x 90°

Dimensions



Technical data

| | |
|----------------------|---|
| Applied standards | EN 60947-5-1, EN 61000-6-2, EN 61000-6-3, EN 301 489-1, EN 301 489-3, EN 300 220-1, EN 300 220-2, EN 60079-0, EN 60079-11 |
| Enclosure | thermoplastic, glass-fibre reinforced, impact resistant, self-extinguishing UL 94 V-0 |
| Tightening torque | M4 enclosure mounting screws: max 1.2 Nm M2.5 cover screws: approx. 0.45 Nm |
| Degree of protection | IP 20 to IEC/EN 60079-11, IP 67 to IEC/EN 60529 |
| Protocol | sWave® |
| Frequency | 868.3 MHz (Europe, China) |
| Transmission power | < 25 mW |
| Data rate | 66 kbps |
| Channel bandwidth | 480 kHz |
| Voltage supply | Ex approved and certified batteries, manufacturer steute, Ex RF Bat 3,6 V/2,1 Ah, mat. no. 1381655, BVS 18 ATEX E 035 X, IECEx BVS 18.0056X |
| System | Li/SOCl ₂ |
| Nominal voltage | 3.6 V |
| Nominal capacity | 2.1 Ah with integrated protective circuit |
| Battery life | depending on the switching frequency 1 s approx. 800 days, 10 s approx. 1500 days, 100 s approx. 1700 days |

Errors and omissions excepted.



Ex Wireless position switch
Ex RF 96 RL SW868
Material number: 1376743

Technical data

| | |
|---------------------|---|
| Switching system | micro switch |
| Ambient temperature | -20 °C ... +60 °C |
| Operation cycles | max. 12000 telegrams with repetitions/h |
| Wireless range | max. 450 m outdoors, max. 40 m indoors |
| Actuating time | min. 80 ms |
| Mechanical life | > 1 million operations |
| Note | status signal adjustable via jumper, no, 10 s, 100 s, 1000 s, 10000 s delivery state: jumper position without status signal, transmission of battery voltage and switching condition |
| Ex marking | ⊕ II 2G Ex ib IIC T4 Gb, ⊕ II 2D Ex ib IIIC T135 °C Db IECEX Ex ib IIC T4 Gb, Ex ib IIIC T135 °C Db |
| Approvals | BVS 19 ATEX E 009 X IECEX BVS 19.0040X |
| Wireless approvals | Europe: RED 2014/53/EU |
| Weight | 120 g |