



Wireless position switch RF 96 WH SW868 Material number: 1403109

Features/Options:

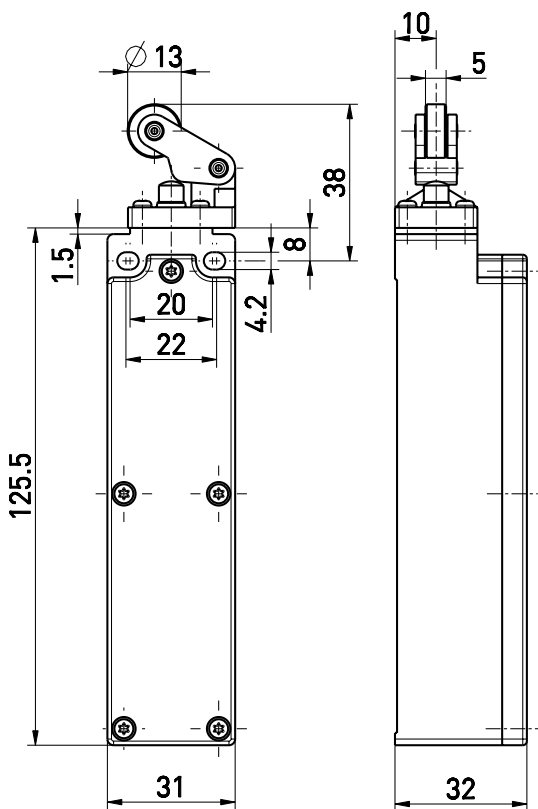
- Thermoplastic enclosure
- Mounting details to EN 50047
- Output signal can be individually configured at the receiver
- sWave® wireless technology
- No wiring and pipe laying required
- Power supply by Lithium battery (replaceable)
- Easy programming of receiver

- Actuator: Roller lever with collar WH
- Actuator type E to EN 50047
- Actuating speed max. 0.5 m/s with a vertical actuating angle of $\alpha = 40^\circ$ and $\beta = 25^\circ$
- Watertight collar for protection against penetration of dirt
- Wear-resistant plastic roller
- Actuator can be repositioned by $4 \times 90^\circ$

Notes

- With metal roller available on request
- Factory delivery with battery type SL-760 (AA)

Dimensions



Technical data

Applied standards	EN 60947-5-1, EN 61000-6-2, EN 61000-6-3, EN 61000-4-2, EN 301 489-1, EN 301 489-3, EN 300 220-1, EN 300 220-2
Enclosure	thermoplastic, glass-fibre reinforced, impact resistant, self-extinguishing UL 94 V-0
Cover	thermoplastic, glass-fibre reinforced, impact resistant, self-extinguishing UL 94 V-0
Tightening torque	M4 enclosure mounting screws: max 1.2 Nm M2.5 cover screws: approx. 0.45 Nm
Degree of protection	IP 67 to IEC/EN 60529
Protocol	sWave®
Frequency	868.3 MHz (Europe, China)
Transmission power	< 25 mW
Data rate	66 kbps
Channel bandwidth	480 kHz
Voltage supply	lithium battery Tadiran SL-2770 (replaceable)
System	Li/SOCl ₂
Nominal voltage	3.6 V
Nominal capacity	8.5 Ah

Errors and omissions excepted.



Wireless position switch
RF 96 WH SW868
Material number: 1403109

Technical data

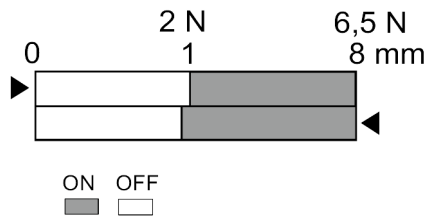
Battery life	depending on the switching frequency sensor mainly not activated 1 s - approx. 5.8 years, 10 s > 10 years* sensor mainly activated 1 s - approx. 5.6 years, 10 s > 10 years* * max. manufacturer's specification of storage life
Alternatively:	
Voltage supply	lithium battery Tadiran SL-760 (replaceable)
System	Li/SOCl ₂
Nominal voltage	3.6 V
Nominal capacity	2.2 Ah
Battery life	depending on the switching frequency sensor mainly not activated 1 s - approx. 1.6 years, 10 s > 10 years* sensor mainly activated 1 s - approx. 1.5 years, 10 s > 10 years* * max. manufacturer's specification of storage life
Ambient temperature	-20 °C ... +65 °C
Operation cycles	max. 12000 telegrams with repetitions/h
Standby current	1.5 µA
Wireless range	max. 450 m outdoors, max. 40 m indoors
Mechanical life	> 1 million operations
Actuating time	min. 80 ms
Note	status signal adjustable via jumper, no, 10 s, 100 s, 1000 s, 10000 s delivery state: jumper position without status signal, transmission of battery voltage and switching condition
Wireless approvals	Europe: RED 2014/53/EU
Weight	123 g

Errors and omissions excepted.

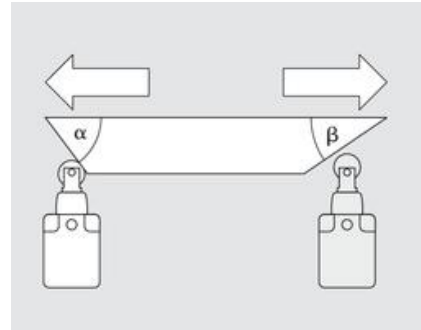


Wireless position switch
RF 96 WH SW868
Material number: 1403109

Switching diagram



Actuating angles



α - Actuating angle from right of switch axis
 β - Actuating angle from left of switch axis as shown in picture