

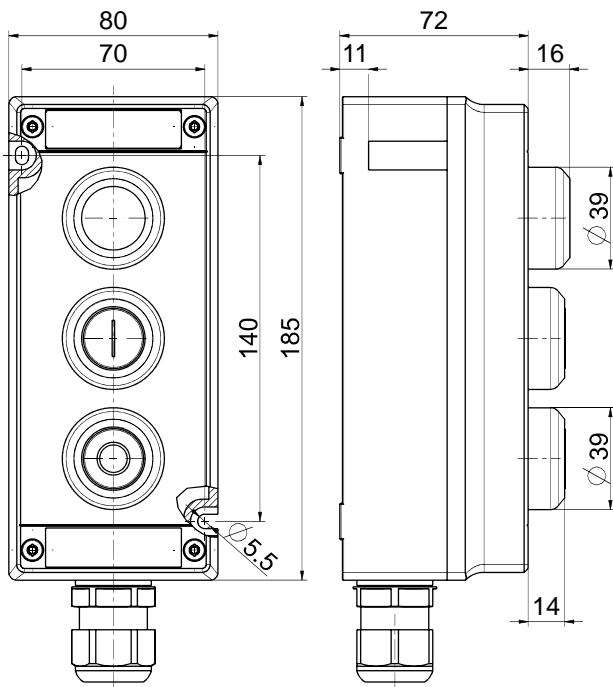


Ex command device
 Ex BF 80 3 LM/DT/DT LED/1ÖS/1ÖS -60°C
 Material number: 1238974

Features/Options:

- Ex zone 1 and 21
- Cold-resistant down to -60 °C
- Actuator: 1 signalling device LM, 2 push buttons DT
- LM: 5 calottes (transparent, yellow, red, green, blue) included in the scope of delivery
- DT: 1 NC/1 NO contact

Dimensions



Technical data

Applied standards	EN 60079-0, EN 60079-1, EN 60079-7, EN 60079-31, EN ISO 13849-1
Enclosure	polyester resin, glass-fibre reinforced
Sealing	silicone
Tightening torque	cover screws: max. 1 Nm connecting thread of cable gland: max. 3 Nm cap nut of cable gland: max. 2 Nm
Degree of protection	IP 66 to IEC/EN 60529
B_{10d} (10 % load)	6050
T_M	max. 20 years
Switching system	slow action, positive break NC contacts \ominus
Connection	screw connection terminals
Cable cross-section	max. 2.5 mm ² (incl. conductor ferrules)
Cable entry	1 x M25 x 1.5
Clamping range	7 ... 17 mm
Mechanical life	50 000 operations
Impact energy	max. 4 J
Rated insulation voltage U_i	550 V
Contact element	
Rated operating current/voltage I_e/U_e	AC-12: 6 A/400 VAC AC-15: 2.5 A/400 VAC DC-13: 1.25 A/250 VDC
Switching capacity	AC-12: 3000 VA AC-15: 1000 VA DC-13: 110 W
Lighting element	
Rated operating current I_e	max. 10 mA
Rated operating voltage U_e	12 ... 240 V

Errors and omissions excepted.



Ex command device
Ex BF 80 3 LM/DT/DT LED/1ÖS/1ÖS -60°C
Material number: 1238974

Technical data

Power consumption	max. 1 W
Frequency range	0 ... 60 Hz
Temperature class	T6 / T5
Ambient temperature	T6: -60 °C ... +50 °C; T5: -60 °C ... +65 °C
Ex marking	⊕ II 2G Ex db eb IIC T6/T5 Gb, ⊕ II 2D Ex tb IIIC T80 °C/T95 °C Db IECEX Ex db eb IIC T6/T5 Gb, Ex tb IIIC T80 °C/T95 °C Db
Approvals	PTB 10 ATEX 1018 IECEX PTB 12.0029

Contact diagram

